

Katalog náhradních dílů pro  
průmyslový šicí stroj

GARUDAN®

SH-6000 serie



ANITA B s.r.o.

Hliníky 2068

680 01 Boskovice

Czech Republic

fax: +420 516 452 751

tel: +420 516 454 774,

+420 516 453 496

e-mail: [info@anita.cz](mailto:info@anita.cz)







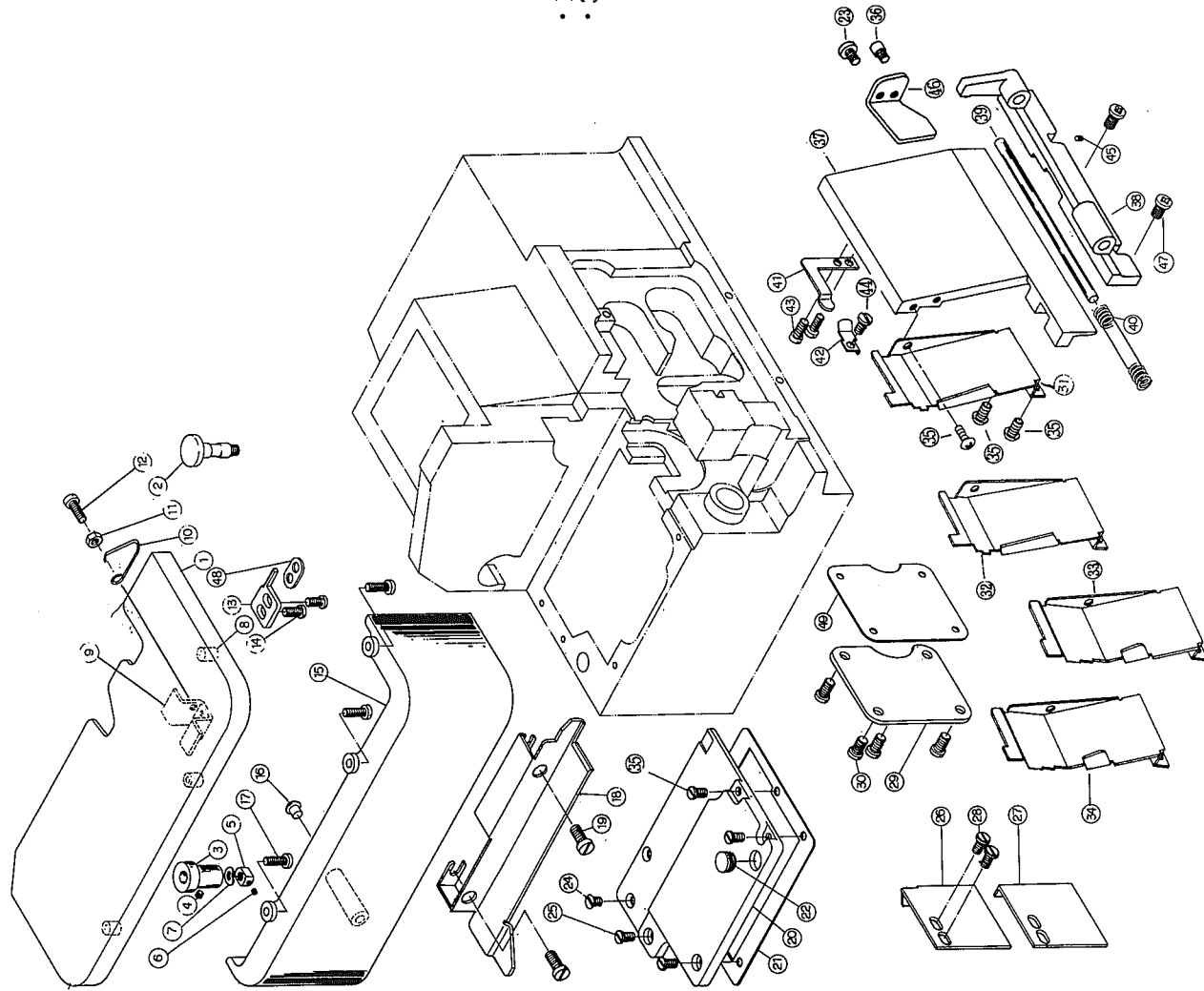
# CONTENTS

項 次	索 引	頁 次
1	FRAME COMPONENTS (1).....	1
	本體與外裝零件(一)	
2	FRAME COMPONENTS (2).....	2
	本體與外裝零件(二)	
3	CRANK SHAFT COMPONENTS .....	3
	主軸與相關零件	
4	NEEDLE DRIVING SHAFT COMPONENTS .....	4
	針棒驅動軸與相關零件	
5	FEED MECHANISM COMPONENTS (1).....	5
	進給驅動機構(一)	
6	FEED MECHANISM COMPONENTS (2).....	6
	進給驅動機構(二)	
7	UPPER AND LOWER LOOPER COMPONENTS .....	7
	上下結線鈎與相關零件	
8	CHAIN LOOPER COMPONENTS(FOR SH6005) .....	8
	鏈結線鈎與相關零件(五線用)	
9	PRESSER FOOT COMPONENTS (1).....	9
	壓脚機構(一)	
10	PRESSER FOOT COMPONENTS (2).....	10
	壓脚機構(二)	

11	THREAD TENSION COMPONENTS .....	11
	縫線張力調節機構	
12	LOWER KNIFE COMPONENTS .....	12
	下刀與相關零件	
13	UPPER KNIFE COMPONENTS .....	13
	上刀與相關零件	
14	NEEDLE COOLING MECHANISM.....	14
	針與縫線冷卻裝置	
15	LUBRICATION MECHANISM .....	15
	潤滑系統	
16	THREAD STAND COMPONENTS .....	16
	線架裝置	
17	SEMI-SUNKEN TYPE TABLE COMPONENTS .....	17
	車板裝置	
18	ACCESSORIES.....	18
	工具及附件	
19	FOR SH6006 .....	19
	六綫用	
20	SHG6000 SPARE PARTS.....	20
	SHG6000 更換零件	

(1) FRAME COMPONENTS

本體與外裝零件(-)

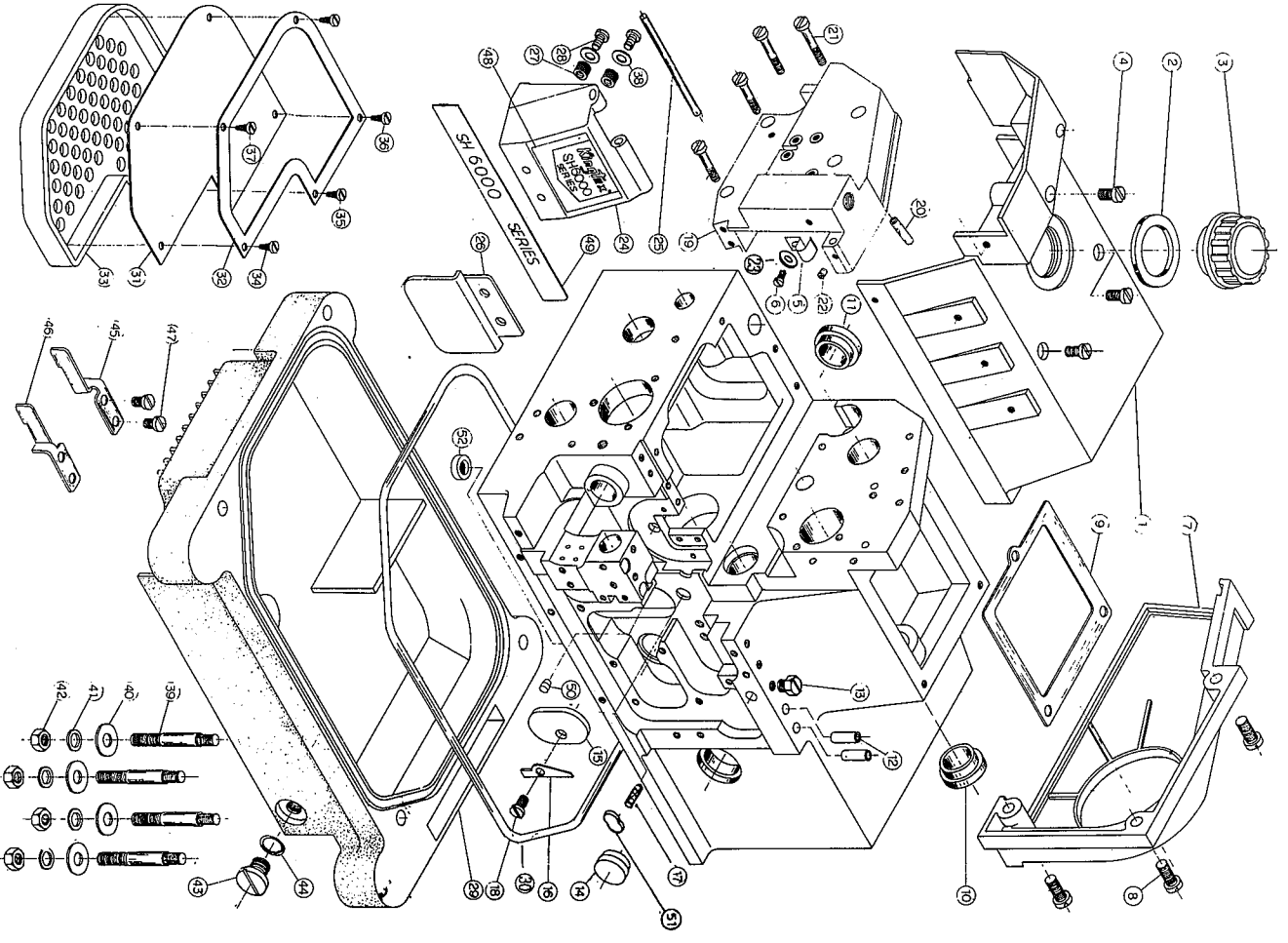


編號	名稱	圖號	數量	秤	量
1	Cloth plate asm	6030101C700	1		
2	Cloth plate hinge stud	6030102B300	1		
3	Eccentric bushing	6030103A500	1		
4	Screw	SA44400400A	1		
5	Nut	6030105D300	1		
6	Screw	SA32440300A	1		
7	Waved washer	6030107D700	1		
8	Collar	6030108E300	1		
9	Stopper base	6030109C700	3		
10	Spring	6030110A800	1		
11	Nut	SA44400407A	1		
12	Screw	SB44401407A	1		
13	Stopper	6030113B700	1		
14	Screw	SJ44400906M	1		
15	Clothplate cover	6030115D600	2		
16	Rubber plug	6030116A600	1		
17	Screw	SJ36401307M	1		
18	Cloth plate side cover	6030118B700	2		
19	Screw	SB48280808A	1		
20	Feed mechanism cover	6030120C200	1		
21	Gasket	6030121G700	1		
22	Rubber plug	6030122A600	1		
23	Screw	SB36400505A	1		
24	Screw	SF36400907A	1		
25	Screw	SJ36401007M	3		
26	Chip guard cover left	6030126B700	1		
27	Chip guard cover left	6050127B700	1		
28	Screw	SE44400608L	2		
29	Cover	6030129B700	1		
30	Screw	SJ44400907M	4		
31	Chip guard cover	6030131B700	1		
32	Chip guard cover	6040132B700	1		
33	Chip guard cover	6050133B700	1		
34	Chip guard cover	6050134B700	1		
35	Screw	SJ36400707M	4		
36	Screw	SB36400607B	1		
37	Looper cover	6030137C200	1		
38	Looper cover bracket	6030138C200	1		
39	Looper cover hinge pin	6030139D300	1		
40	Spring	6030140A800	1		
41	Looper cover presser plate	6030141D700	1		
42	Looper cover presser spring	6030142D700	1		
43	Screw	SJ36400606M	2		
44	Screw	SJ44400907M	1		
45	Screw	SA44400400A	1		
46	Latch	6030146B700	1		
47	Screw	SJ44401208M	1		
48	Washer	6030148B700	2		
49	Gasket	6030149C700	1		
• 1	For SH6003				
• 2	For SH6004				
• 3	For SH6005-				
• 4	For SH6005-				

名稱	圖號	數量	秤	量
布板	6030101C700	1		
樞軸	6030102B300	1		
偏心套管	6030103A500	1		
螺絲	SA44400400A	1		
螺帽	6030105D300	1		
螺絲	SA32440300A	1		
波形墊圈	6030107D700	1		
隔環	6030108E300	1		
鎖扣座	6030109C700	3		
彈簧	6030110A800	1		
螺帽	SA44400407A	1		
螺絲	SB44401407A	1		
鎖扣	6030113B700	1		
螺絲	SJ44400906M	1		
布板側架	6030115D600	2		
減震橡膠	6030116A600	1		
螺絲	SJ36401307M	1		
布板側檔	6030118B700	2		
螺絲	SB48280808A	1		
左蓋	6030120C200	1		
防滲墊片	6030121G700	1		
減震橡膠	6030122A600	1		
螺絲	SB36400505A	1		
螺絲	SF36400907A	1		
螺絲	SJ36401007M	3		
面蓋側檔	6030126B700	1		
面蓋側檔	6050127B700	1		
螺絲	SE44400608L	2		
背蓋	6030129B700	1		
螺絲	SJ44400907M	4		
導布屑	6030131B700	1		
導布屑	6040132B700	1		
導布屑	6050133B700	1		
導布屑	6050134B700	1		
螺絲	SJ36400707M	4		
螺絲	SB36400607B	1		
面蓋座	6030137C200	1		
樞銷	6030138C200	1		
樞銷	6030139D300	1		
彈簧	6030140A800	1		
定位鉤	6030141D700	1		
定位扣	6030142D700	1		
螺絲	SJ36400606M	2		
螺絲	SJ44400907M	1		
螺絲	SA44400400A	1		
定位片	6030146B700	1		
螺絲	SJ44401208M	1		
墊圈	6030148B700	2		
防滲墊片	6030149C700	1		

□ 3 □ 5

(2) FRAME COMPONENTS (2)  
本體與外裝零件(二)



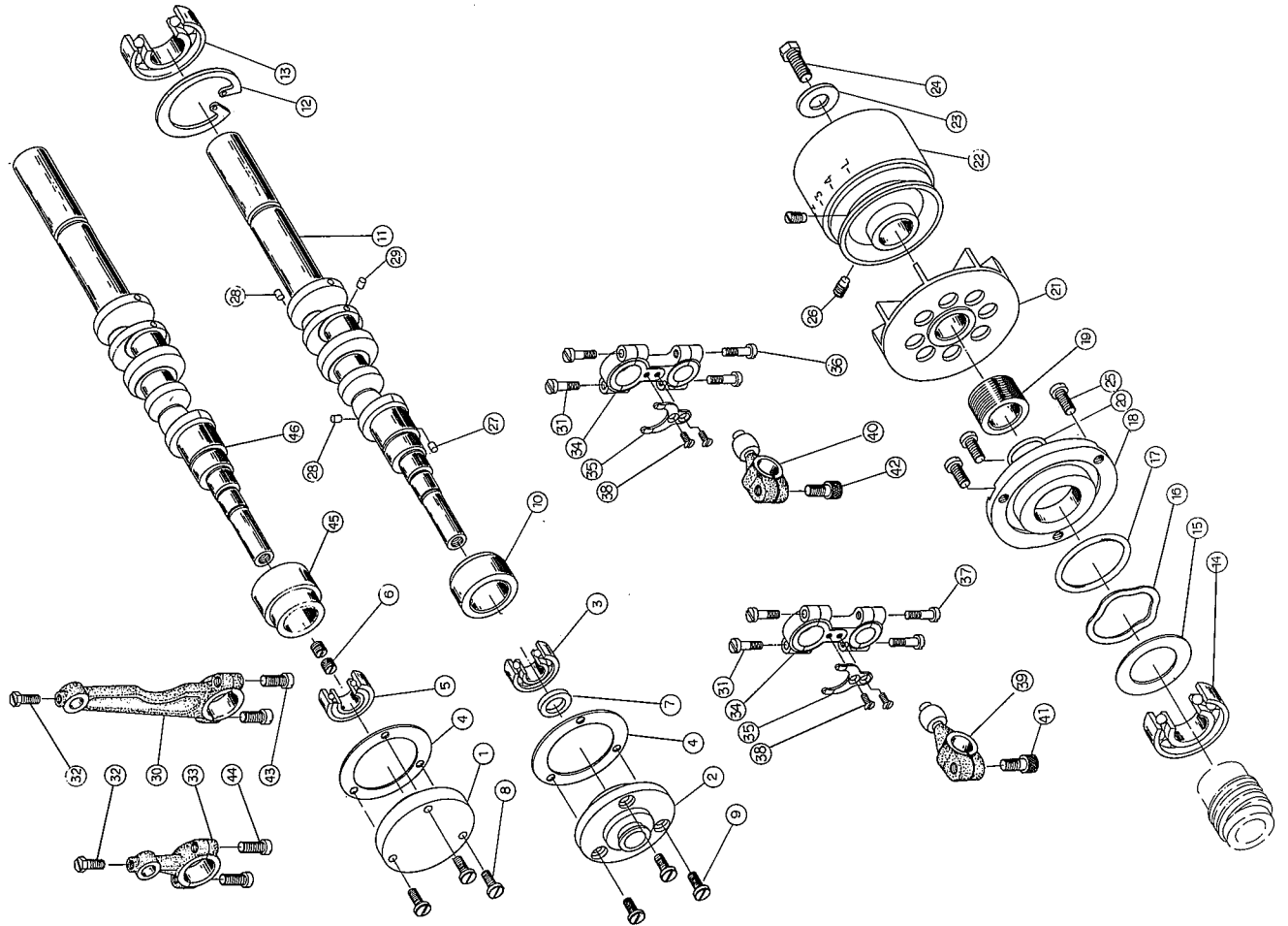
編號	名稱	數量
1	Upper cover	1
2	Gasket	1
3	Oil cap	1
4	Screw	1
5	Spring	3
6	Screw	1
7	Belt cover	1
8	Screw	1
9	Gasket	1
10	Rubber Plug	1
11	Rubber Plug	1
12	Thread guide	2
13	Screw	1
14	Plug	1
15	Felt	1
16	Washer	1
17	Oil wick	1
18	Screw	1
19	Side cover	1
20	Spring pin	1
21	Screw	1
22	Screw	4
23	Washer	1
24	Face Plate cover	1
25	Pin	1
26	Safety plate	1
27	Nut	2
28	Screw	2
29	Oil reservoir	1
30	Oil gasket	1
31	Filter	1
32	Cord holder	1
33	Filter reservoir	1
34	Screw	1
35	Screw	1
36	Screw	1
37	Screw	2
38	Washer	4
39	Bolts	4
40	Washer	4
41	Spring washer	4
42	Nut	4
43	Screw	4
44	Oil ring	4
45	Chip guard	1
46	Chip guard Cover	1
47	Screw	1
48	Name plate	1
49	Name plate	1
50	Plug	1
51	Sponge	1
52	Filter	1
1	For SH6003、SH6004	1
2	For SH6005	1

圖號	名稱	數量
6030201D200	蓋	1
6030202A600	上蓋	1
6030203B600	防漏墊圈	1
SJ48281208M	油鏡	1
6030205D700	螺絲	1
SJ36400707M	螺絲	3
6030207D600	螺絲	1
SJ60281310M	螺絲	1
6030209G700	螺絲	1
6030210A600	螺絲	1
6030210A600	螺絲	1
6030212C300	螺絲	1
SK60281109B	螺絲	2
6030214A600	螺絲	1
6030215L700	螺絲	1
6030216B700	螺絲	1
6707	羊毛線	1
SJ44400907M	油線	1
6030219A200	側位螺絲	1
SP0410	左側螺絲	1
SB48282507B	螺絲	1
SN36400400A	螺絲	4
PW040912	螺絲	1
6030224D600	針桿	1
6030225D300	針桿	1
6030226B600	針桿	1
6030227G300	針桿	2
SJ36400606M	螺絲	2
6030229G200	螺絲	2
6030230A600	螺絲	1
6030231M700	螺絲	1
6030232B700	螺絲	1
6030233D600	螺絲	1
WF03130807A	螺絲	1
WF03130807A	螺絲	1
WF03130807A	螺絲	1
WF03130807A	螺絲	1
PW040912	螺絲	2
6030239D300	螺絲	2
PW081802	螺絲	4
SW207	彈簧	4
SA64200612A	彈簧	4
6030243C300	螺絲	4
6030244A600	螺絲	4
6050245B700	螺絲	1
6030246B700	螺絲	1
SP48280808A	螺絲	1
6236	螺絲	2
6237	螺絲	1
6030250H300	螺絲	1
6030251L700	螺絲	1
6030252D600	螺絲	1

圖號	名稱	數量
6030201D200	蓋	1
6030202A600	上蓋	1
6030203B600	防漏墊圈	1
SJ48281208M	油鏡	1
6030205D700	螺絲	1
SJ36400707M	螺絲	3
6030207D600	螺絲	1
SJ60281310M	螺絲	1
6030209G700	螺絲	1
6030210A600	螺絲	1
6030210A600	螺絲	1
6030212C300	螺絲	1
SK60281109B	螺絲	2
6030214A600	螺絲	1
6030215L700	螺絲	1
6030216B700	螺絲	1
6707	羊毛線	1
SJ44400907M	油線	1
6030219A200	側位螺絲	1
SP0410	左側螺絲	1
SB48282507B	螺絲	1
SN36400400A	螺絲	4
PW040912	螺絲	1
6030224D600	針桿	1
6030225D300	針桿	1
6030226B600	針桿	1
6030227G300	針桿	2
SJ36400606M	螺絲	2
6030229G200	螺絲	2
6030230A600	螺絲	1
6030231M700	螺絲	1
6030232B700	螺絲	1
6030233D600	螺絲	1
WF03130807A	螺絲	1
WF03130807A	螺絲	1
WF03130807A	螺絲	1
WF03130807A	螺絲	1
PW040912	螺絲	2
6030239D300	螺絲	2
PW081802	螺絲	4
SW207	彈簧	4
SA64200612A	彈簧	4
6030243C300	螺絲	4
6030244A600	螺絲	4
6050245B700	螺絲	1
6030246B700	螺絲	1
SP48280808A	螺絲	1
6236	螺絲	2
6237	螺絲	1
6030250H300	螺絲	1
6030251L700	螺絲	1
6030252D600	螺絲	1



(3) CRANK SHAFT COMPONENTS  
主軸與相關零件



- 1
- 2
- 2
- 4
- 1
- 1
- 2
- 1
- 1
- 2
- 2
- 11
- 12
- 13
- 14
- 15
- 16
- 17
- 18
- 19
- 20
- 21
- 22
- 23
- 24
- 25
- 26
- 27
- 28
- 29
- 30
- 31
- 32
- 33
- 34
- 35
- 36
- 37
- 38
- 39
- 40
- 41
- 42
- 43
- 44
- 45
- 46
- 1
- 2

- Crankshaft bushing
- Crankshaft bushing
- Ball bearing
- Gasket
- Ball bearing
- Screw
- Oil seal
- Screw
- Screw
- Crankshaft bushing
- Crankshaft
- Ball bearing retainer
- Ball bearing
- Ball bearing
- Washer
- Waved washer
- Rubber ring
- Thrust holder
- Position lock ring
- Oil seal
- Fan
- Hand wheel
- Washer
- Screw
- Screw
- Screw
- Plug
- Plug
- plug
- Needle bar connecting rod
- Screw
- Screw
- Knife driving rod
- Looper driving rod
- Guide
- Screw
- Screw
- Screw
- Crank
- Crank
- Screw
- Screw
- Screw
- Crankshaft bushing
- Crankshaft
- For SH6003、SH6004
- For SH6005

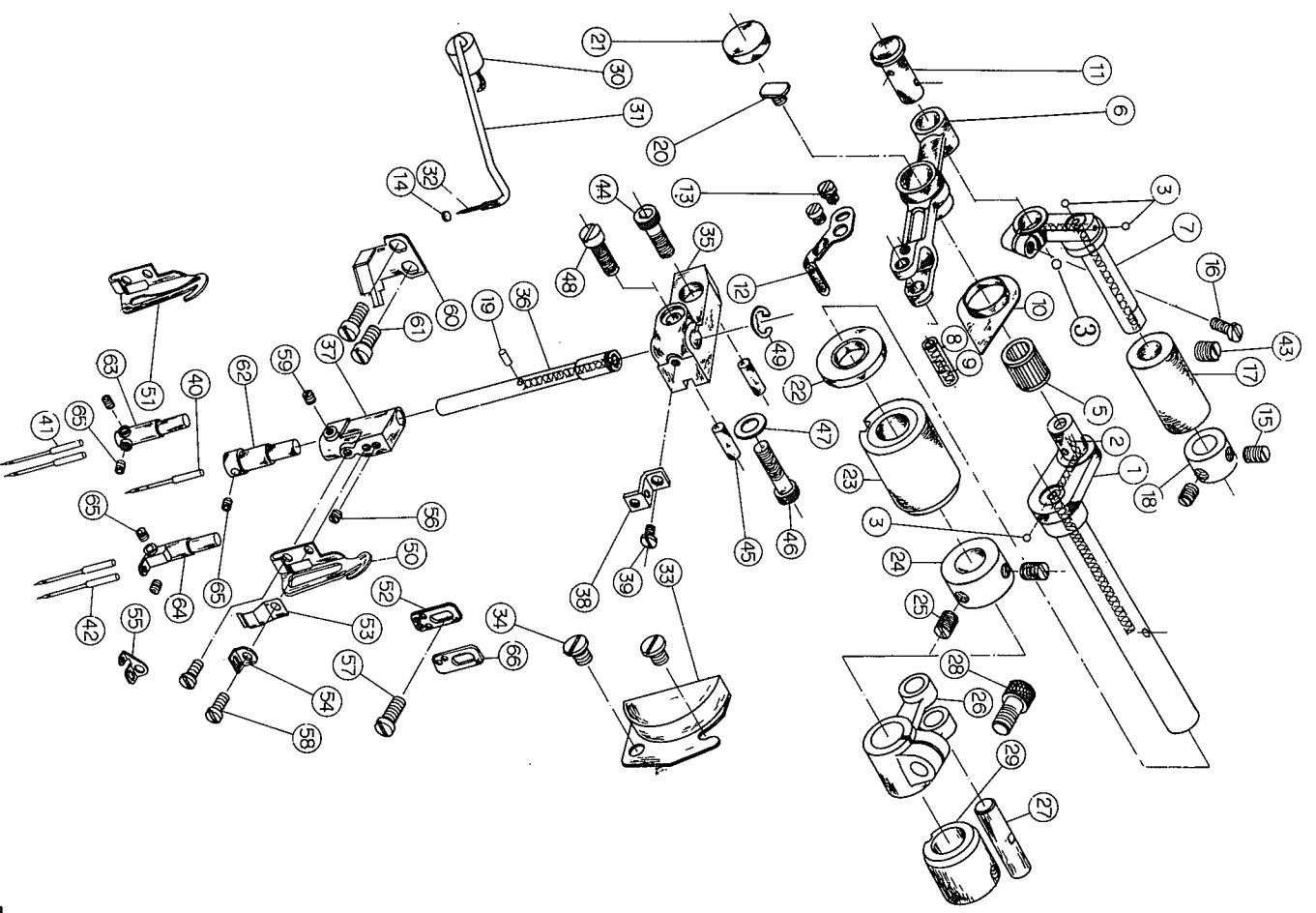
- 圖
- 6030301B100
- 6050302B100
- BB1026080Z
- 6030304G700
- BB10260800
- SH60280400A
- 6030307A600
- SJ44401208M
- SB44400807A
- 6050310B500
- 6050311A300
- 6030312D700
- BB17401200
- BB1740120Z
- 6030315D700
- 6030316D700
- 6030317A600
- 6030318C200
- 6030319D300
- 6030320A600
- 6030321C200
- 6030322C200
- 6030323B700
- SK60281610B
- SJ48281208M
- SI60281000B
- 6030327H300
- 6030328H300
- 6030329H300
- 6030330D100
- MC04071507A
- MC04071507A
- SK44400606A
- 6030333D100
- 6030334D100
- 6030335D300
- MC04071507A
- MC04071507A
- MF03050606A
- 6030339A100
- 6030340A100
- MM60751210A
- MM60751210A
- MC04071507A
- MC04071507A
- 6030345B500
- 6030346A300

- 名
- 軸承座
- 軸承座
- 軸承
- 防滴墊片
- 軸承
- 螺絲
- 油封
- 螺絲
- 螺絲
- 軸襯
- 主軸
- 孔用 C 型扣環
- 軸承
- 軸承
- 墊圈
- 波形墊圈
- 油環
- 鋁蓋
- 定位環
- 油環
- 風扇
- 皮帶輪
- 墊圈
- 螺絲
- 螺絲
- 孔塞
- 孔塞
- 孔塞
- 針棒連桿
- 螺絲
- 螺絲
- 上刀連桿
- 結線鈎連桿
- 導軌
- 螺絲
- 螺絲
- 球軸
- 球軸
- 螺絲
- 螺絲
- 螺絲
- 螺絲
- 軸襯
- 主軸

數

- 1
- 1
- 1
- 2
- 1
- 2
- 1
- 3
- 3
- 1
- 1
- 1
- 1
- 1
- 1
- 1
- 1
- 1
- 1
- 1
- 1
- 1
- 1
- 1
- 1
- 1
- 3
- 3
- 2
- 1
- 2
- 1
- 1
- 1
- 1
- 1
- 4
- 2
- 2
- 1
- 2
- 2
- 2
- 2
- 2
- 4
- 1
- 1
- 1
- 1
- 1
- 2
- 2
- 1
- 1

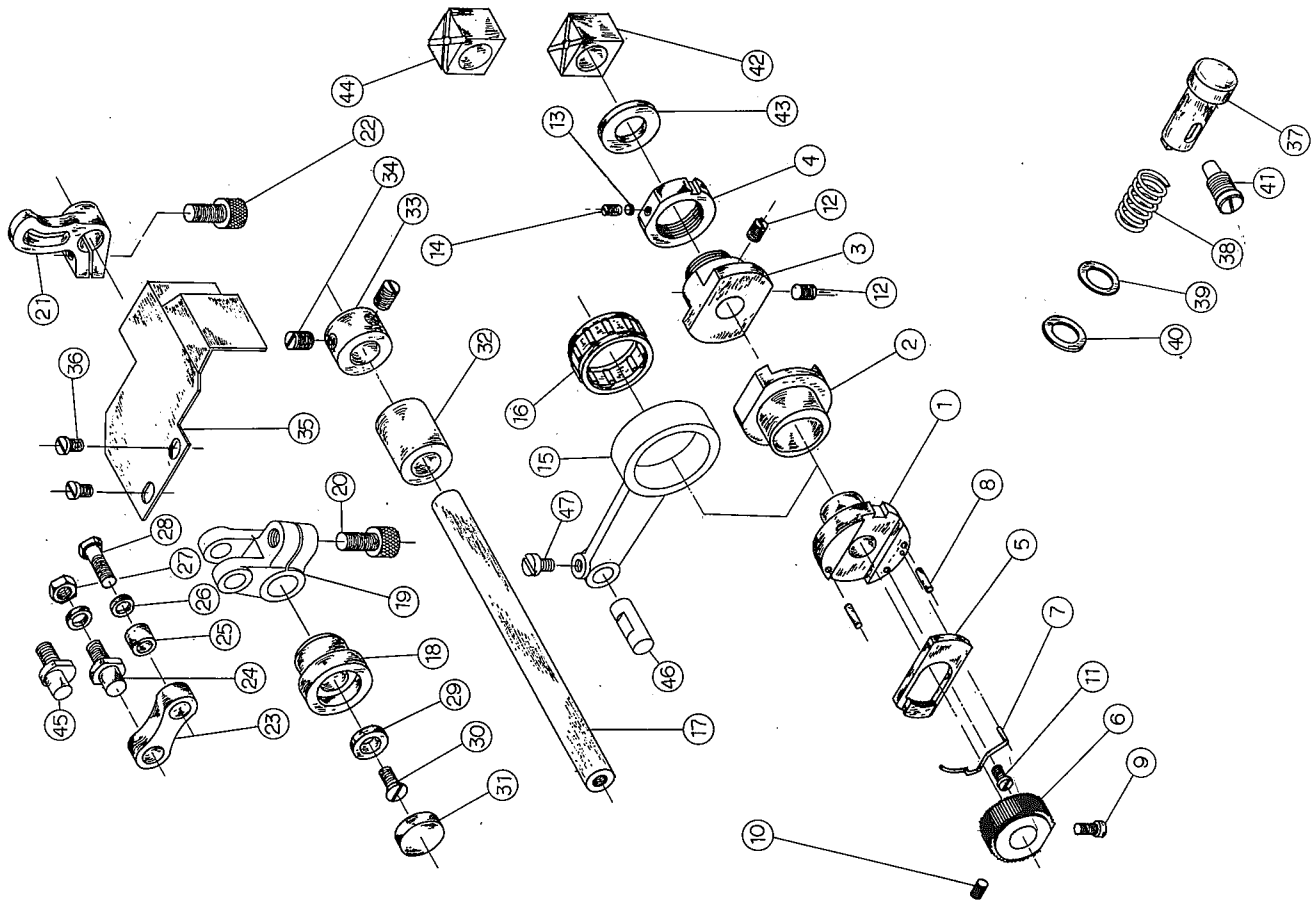
(4) NEEDLE DRIVING SHAFT COMPONENTS  
針棒驅動軸與相關零件



號	名稱	數量
1	Needle driving shaft	1
2	Oil wick	1
3	Plug	1
4	Screw	4
5	Bushing	1
6	Needle driving lever	1
7	Holder	1
8	Crank pin	1
9	Oil shield	1
10	Oil wick	1
11	Crank pin	1
12	Needle thread presser	1
13	Screw	1
14	Plug	1
15	Screw	1
16	Screw	1
17	Bushing	1
18	Thrust collar	1
19	Oil wick	1
20	Bolt	1
21	Cover	1
22	Oil sea!	1
23	Bushing	1
24	Thrust collar	1
25	Screw	1
26	Forked crank	1
27	Pin	1
28	Screw	1
29	Bushing	1
30	Oil wick cover bushing	1
31	Oil tube	1
32	Oil wick	1
33	Cover	1
34	Screw	1
35	Needle Bar Base	2
36	Needle bar	1
37	Needle clamp base	1
38	Needle thread guide	1
39	Screw	1
40	Needle	1
41	Needle	1
42	Needle	1
43	Needle	1
44	Screw	1
45	Pin	1
46	Screw	1
47	Washer	1
48	Screw	1
49	Retainer E	1
50	Needle thread take-up lever	1
51	Needle thread take-up lever	1
52	Needle thread guide	1
53	Presser spring	1
54	Needle thread guide	1
55	Needle thread guide	1
56	Screw	1
57	Screw	1
58	Screw	1
59	Screw	1
60	Oil reservoir asm	1
61	Screw	1
62	Needle clamp	1
63	Needle clamp	2
64	Needle clamp	3
65	Screw	1
66	Needle thread guide	1
1	For SH6003	
2	For SH6004	
3	For SH6005	
4	For SH6013	

圖號	名稱	數量
6030401A100	由軸	1
6707	孔蓋	1
6030403C300	孔蓋片	1
SB24560405A	軸承	4
NB09121300	針動臂	1
6030406A100	出油管	1
6030407A100	出油管	1
6030408A300	出油管	1
6707	出油管	1
6030410D700	壓線片	1
6030411A300	壓線管	1
6030412D700	壓線管	1
SB24560405A	壓線管	1
6030327H300	孔蓋	1
SA44400400A	螺絲	2
SJ36401000K	螺絲	1
6030417G300	螺絲	1
6030418D300	定位環	1
6030619L700	螺絲	1
6030420D300	螺絲	1
6030421D700	螺絲	1
6030422G300	螺絲	1
6030423B500	螺絲	1
6030424D300	螺絲	1
SH65320500A	定位環	1
6030426A100	螺絲	1
6030427A300	螺絲	1
NM60751210A	螺絲	1
6030429G300	螺絲	1
6030430A609	螺絲	1
6706	油管	1
6030433B700	防塵蓋	1
SJ44400508K	螺絲	1
6030435B200	螺絲	2
6030436A300	螺絲	1
6030437D100	螺絲	1
6030438B700	螺絲	1
SE36400406L	螺絲	1
DC27YX	針	1
DC27YX	針	1
SH60280700A	螺絲	2
NM60102010A	螺絲	1
STD0414	螺絲	1
NM60102210A	螺絲	1
6030323B700	螺絲	1
SB48281208K	螺絲	1
ER07	E形扣環	1
6030450D700	螺絲	1
6030451D700	螺絲	1
6040452B700	螺絲	1
6030453V700	螺絲	1
6030454B700	螺絲	1
6030455B700	螺絲	1
SH36400400A	螺絲	1
SH36400405L	螺絲	1
SE32440405L	螺絲	1
SA44400400A	螺絲	2
SE36400406L	螺絲	1
6030460B700	螺絲	1
NC6603033	螺絲	1
NC6604022	螺絲	2
NC605053	螺絲	1
SN32440300A	螺絲	1
6030472B700	螺絲	1

(5) FEED MECHANISM COMPONENTS  
進給驅動機構(-)

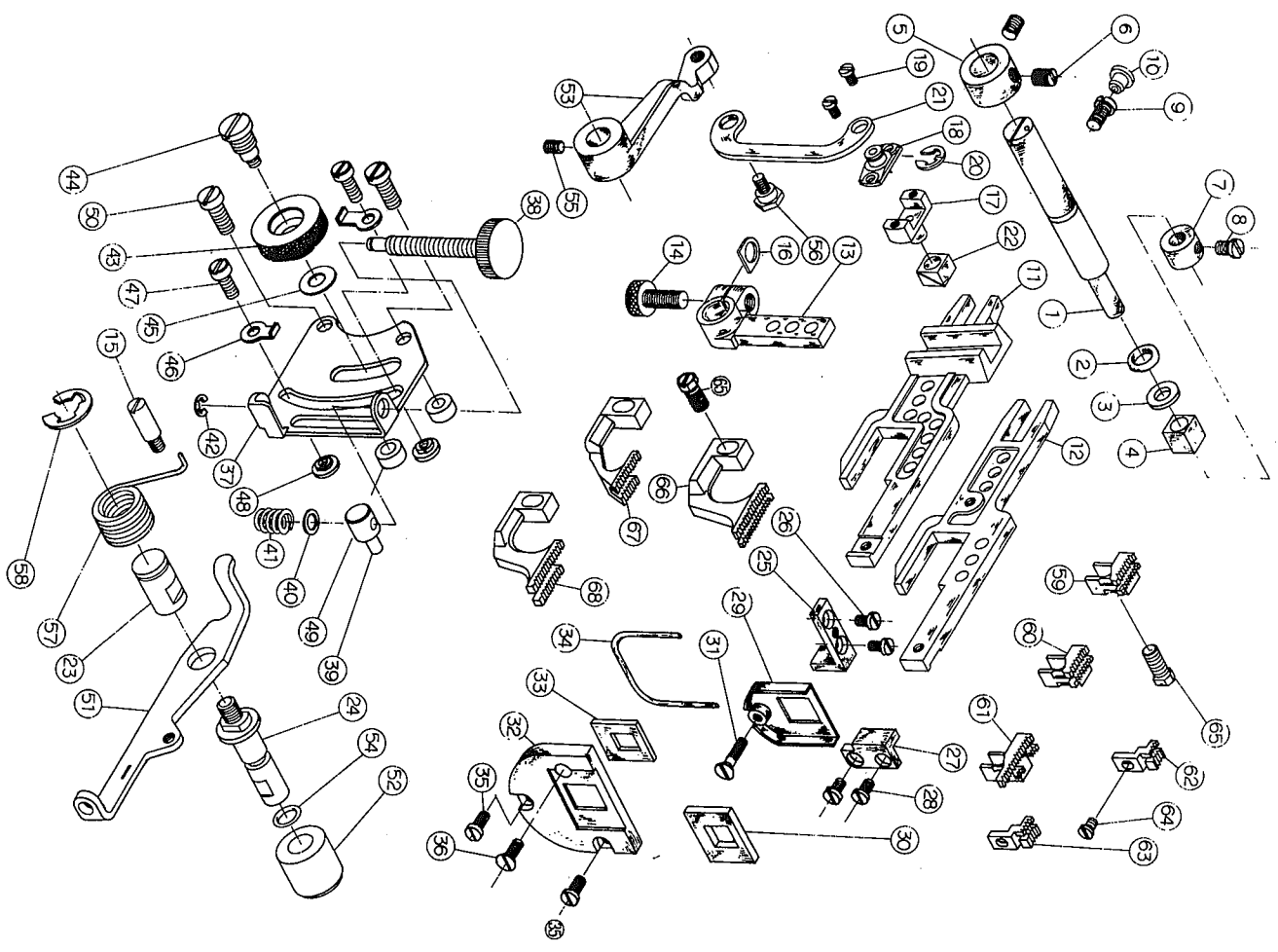


圖號	名稱	數量
6030501A300	偏心輪	1
6030502A300	偏心輪	1
6030503A300	緊迫環	1
6030504A300	緊迫螺帽	1
6030505B700	離合板	1
6030506A300	棘齒輪	1
6030507A800	彈簧	1
SP0310	彈簧銷	2
SB44400706F	螺絲	1
SN44400400A	螺絲	1
SB24560604B	螺絲	1
SN44400400A	螺絲	1
6030513E700	銅塞	2
SN32440300A	螺絲	1
6030515A100	連桿	1
NB22261000	軸承	1
6030517A300	軸	1
6030518G300	軸襯	1
6030519A100	曲柄	1
MM60751210A	螺絲	1
MM60751210A	螺絲	1
6030523E200	連桿	1
6030524A300	曲柄	1
6030525A300	曲柄	1
PW051015	隔環	2
SA48320309B	螺帽	1
SK48321207C	螺絲	1
6030529B700	墊圈	1
SF36400607B	螺絲	1
6030531A600	孔塞	1
6030532G300	軸襯	1
6030533D300	定位環	1
SH56320500A	螺絲	2
6030535B700	防油蓋	1
SJ36400707M	螺絲	2
60303370300	止動銷	1
6030538A800	彈簧	1
6030539D700	墊圈	1
6030540L700	羊毛氈	1
SB60281507D	螺帽	1
6050542G300	滑塊	1
6030543B700	墊圈	1
6030544G300	滑塊	1
6030545A300	曲柄梢	1
6030546A300	曲柄梢	1
SB44400807A	螺絲	1

編號	名稱	圖號
1	Eccentric	6030501A300
2	Eccentric	6030502A300
3	Press ring	6030503A300
4	Nut	6030504A300
5	Ratchet pawl	6030505B700
6	Ratchet gear	6030506A300
7	Ratchet Pawl Spring	6030507A800
8	Spring Pin	SP0310
9	Screw	SB44400706F
10	Screw	SN44400400A
11	Screw	SB24560604B
12	Screw	SN44400400A
13	Plug	6030513E700
14	Screw	SN32440300A
15	Crank rod	6030515A100
16	Bearing	NB22261000
17	Rocker Shaft	6030517A300
18	Rocker shaft bushing	6030518G300
19	Crank	6030519A100
20	Screw	MM60751210A
21	Main feed rocker	MM60751210A
22	Screw	6030523E200
23	Main feed link	6030524A300
24	Crank Pin	6030525A300
25	Collar	PW051015
26	Washer	SA48320309B
27	Nut	SK48321207C
28	Screw	6030529B700
29	Washer	SF36400607B
30	Screw	6030531A600
31	Rubber Plug	6030532G300
32	Bushing	6030533D300
33	Thrust collar	SH56320500A
34	Screw	6030535B700
35	Cover	SJ36400707M
36	Screw	60303370300
37	Push button stud	6030538A800
38	Spring	6030539D700
39	Washer	6030540L700
40	Felt	SB60281507D
41	Bolt	6050542G300
42	Slide Block	6030543B700
43	Washer	6030544G300
44	Slide Block	6030545A300
45	Grank Pin	6030546A300
46	Grank Pin	6030546A300
47	Screw	SB44400807A

- \* 1 For SH6003 ~ SH6004
- \* 2 For SH6005
- \* 3 For SH6043 SH6044 SH6045
- SH6074 SH6075

(6) FEED MECHANISM COMPONENTS  
進給驅動機構(二)



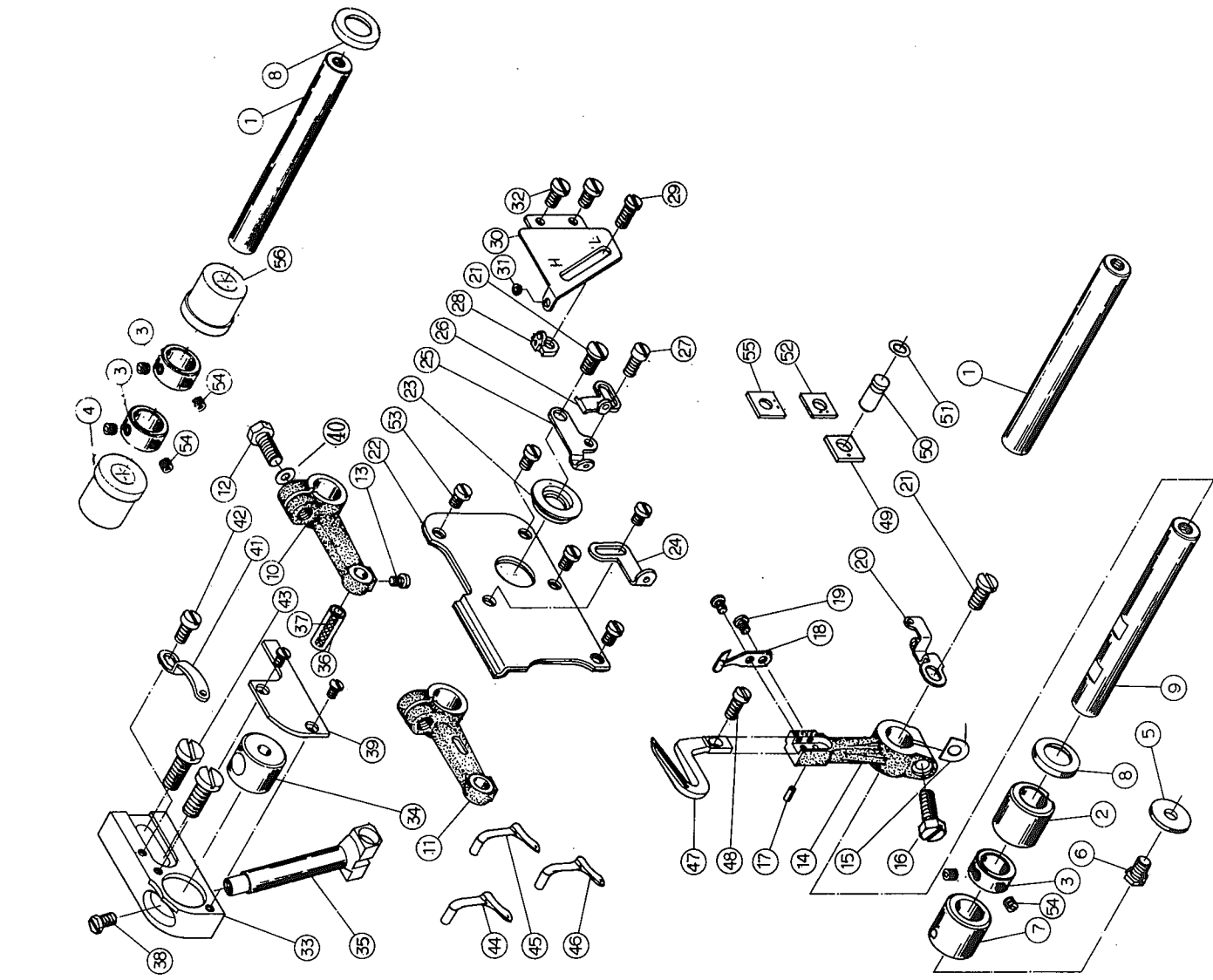
號	名稱	圖號	數量	備註
1	Feed bar shaft	6030601A300	1	整桿
2	Rubber ring	ORP08	1	調整圈
3	Washer	6030603B3700	1	墊圈
4	Slide block	6030604A400	1	滑塊
5	Collar	6030605D300	1	定位環
6	Collar	SH56320500A	2	定位環
7	Screw	6030607D300	1	螺絲
8	Screw	SB44400706A	1	螺絲
9	Screw	SB44400706A	1	螺絲
10	plug	6030610A600	1	螺絲
11	Main feed bar	60300611A100	1	架梁
12	Differential feed bar	60300612A100	1	架梁
13	Differential feed rocker	60300613A100	1	架梁
14	Screw	60300613A100	1	螺絲
15	Stopper Screw	MM60751210A	1	螺絲
16	Washer	SI48280606D	1	墊圈
17	Slide block	60300616B700	1	滑塊
18	Slide block	60300617A100	1	滑塊
19	Retainer E	60300618A100	1	扣環
20	Link	SE32440405L	2	扣環
21	Slide block	6030621B700	1	滑塊
22	Hinge Screw	6030622A400	1	螺絲
23	Nut	6030623B300	1	螺絲
24	Feed bar support	6030624R300	1	螺絲
25	Feed bar support	6030625A400	1	螺絲
26	Screw	SI36400606M	1	螺絲
27	Feed bar support	6030627B700	1	螺絲
28	Rubber cover	SB36400505A	2	密封
29	Rubber cover	6030629B700	1	密封
30	Rubber	6030630R600	1	密封
31	Rubber	SF36400907A	1	密封
32	Rubber case	6030632C200	1	密封
33	Rubber ring	6030633F600	1	密封
34	Rubber ring	60300634A600	1	密封
35	Screw	SI36400806A	2	螺絲
36	Differential Feed Graduation	SF36400907A	1	螺絲
37	Adjusting screw	6030637B700	1	螺絲
38	Differential feed block	6030638D300	1	螺絲
39	Washer	6030639D300	1	螺絲
40	Washer	6030640B700	1	螺絲
41	Spring	60300641A800	1	彈簧
42	Retainer E	ER03	1	彈簧
43	Lock nut	6030643D300	1	彈簧
44	Hinge screw	6030644C300	1	彈簧
45	Washer	6030645B700	1	彈簧
46	Washer	6030646B700	1	彈簧
47	Screw	SI36400606M	2	彈簧
48	Nut	6030648D300	2	彈簧
49	Washer	6030649D300	2	彈簧
50	Screw	SI48281208X	2	彈簧
51	Rocker shaft	6030651B700	1	彈簧
52	Bushing	6030652A500	1	彈簧
53	Differential feed rocker	6030653B200	1	彈簧
54	Rubber ring	ORP06	1	彈簧
55	Hinge screw	SN60280700A	1	彈簧
56	Spring	SK44400909E	1	彈簧
57	Retainer E	6030657A800	1	彈簧
58	Differential feed dog	ER09	1	彈簧
59	Differential feed dog	FD08E21	1	彈簧
60	Differential feed dog	FD60971	1	彈簧
61	Diffrential feed dog	FD60828	1	彈簧
62	Diffrential feed dog	AF60871	1	彈簧
63	Diffrential feed dog	AF60874	1	彈簧
64	Diffrential feed dog	SE32440705A	1	彈簧
65	Screw	SK44400907A	1	彈簧
66	Main feed dog	DF8040T	1	彈簧
67	Main feed dog	DF85209	1	彈簧
68	Main feed dog	DF814BE	1	彈簧

1 For SH6003  
2 For SH6004  
3 For SH6005  
4 For SH6003 SH6004

編 號  
稱 號  
量

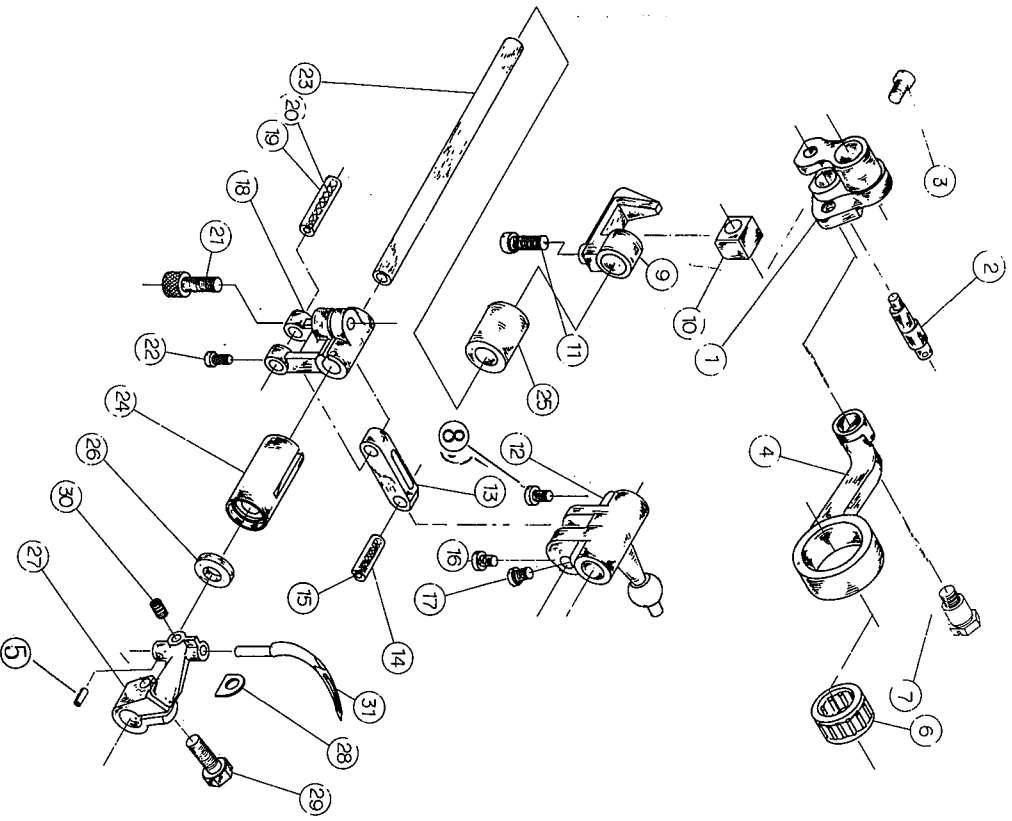
1	Upper looper shaft	6030701A300	軸	2
2	Bushing	6030702G300	襯套	1
3	Thrust collar	6030703D300	定位環	3
4	Bushing	6030704C300	襯套	1
5	Washer	6030705B700	墊圈	1
6	Screw	SK44400907A	螺絲	1
7	Bushing	6030707C300	襯套	1
8	Rubber ring	6030708A600	油封	2
9	Lower looper shaft	6030709A300	軸	1
10	Crank	6030710A100	曲柄	1
11	Crank	6040711A100	曲柄	1
12	Screw	SK60281207F	螺絲	1
13	Lower looper support arm	SB36400505A	擺動臂	1
14	Washer	6030714D100	墊圈	1
15	Screw	6030715B700	螺絲	1
16	Spring pin	SK60281007F	彈簧銷	1
17	Travelling needle guide	SP0206	導針	1
18	Screw	6030718E200	螺絲	1
19	Looper thread take-up	SE32440405L	螺絲	4
20	Oil shield plate	6030720B700	螺絲	2
21	Oil seal	SJ44400906M	防塵蓋	1
22	Thread guide	6030722B700	導線	1
23	Thread take up	6030723A600	導線	1
24	Thread take up	6030724B700	導線	1
25	Thread take up	6030725B700	導線	1
26	Thread take up	6030726B700	導線	1
27	Lower looper thread guide	SC32440406A	螺絲	1
28	Looper thread take up cover	6030728B700	螺絲	1
29	Thread guide	SE36400406L	螺絲	1
30	Guide support	6030730B700	螺絲	1
31	Lever guide	6030731A900	螺絲	2
32	Upper looper lever	SJ44400906M	螺絲	1
33	Pin	6030733E200	軸承座	1
34	Oil wick	6030734H300	擺動軸承	1
35	Screw	6030735A100	擺動軸	1
36	Guide cover	6030736A300	襯套	1
37	Washer	6707	油封	1
38	Thread guide	SK44400505D	螺絲	1
39	Screw	6030739B700	螺絲	1
40	Thread guide	6030740B700	導線	1
41	Screw	6030741B700	螺絲	1
42	Upper looper	SJ36400707M	螺絲	2
43	Upper looper	SE60281609L	螺絲	1
44	Upper looper	UL603880	螺絲	1
45	Upper looper	UL603881	螺絲	1
46	Lower looper	UL604883	螺絲	1
47	Lower looper	LL603884	螺絲	1
48	Stopper	SJ36400606M	螺絲	1
49	Pin	6030749B700	定位片	1
50	Rubber ring	6030750D300	油環	1
51	Stopper	ORP04	定位片	1
52	Screw	6040752B700	螺絲	1
53	Screw	SJ36401007M	螺絲	5
54	Stopper	SN44400400A	螺絲	6
55	Bushing	6040755B700	襯套	1
56	For SH6003	6030756G300	針	1

• 5 For SH6003 (Needle # 8~#13)  
 • 6 For SH6003 (Needle #14~#20)  
 • 7 For SH6003 (Needle # 6~# 8)  
 • 8 For SH6003 (Needle #21)  
 • 8 For SH6004 (Needle # 9~#16)  
 • 8 For SH6004 A53



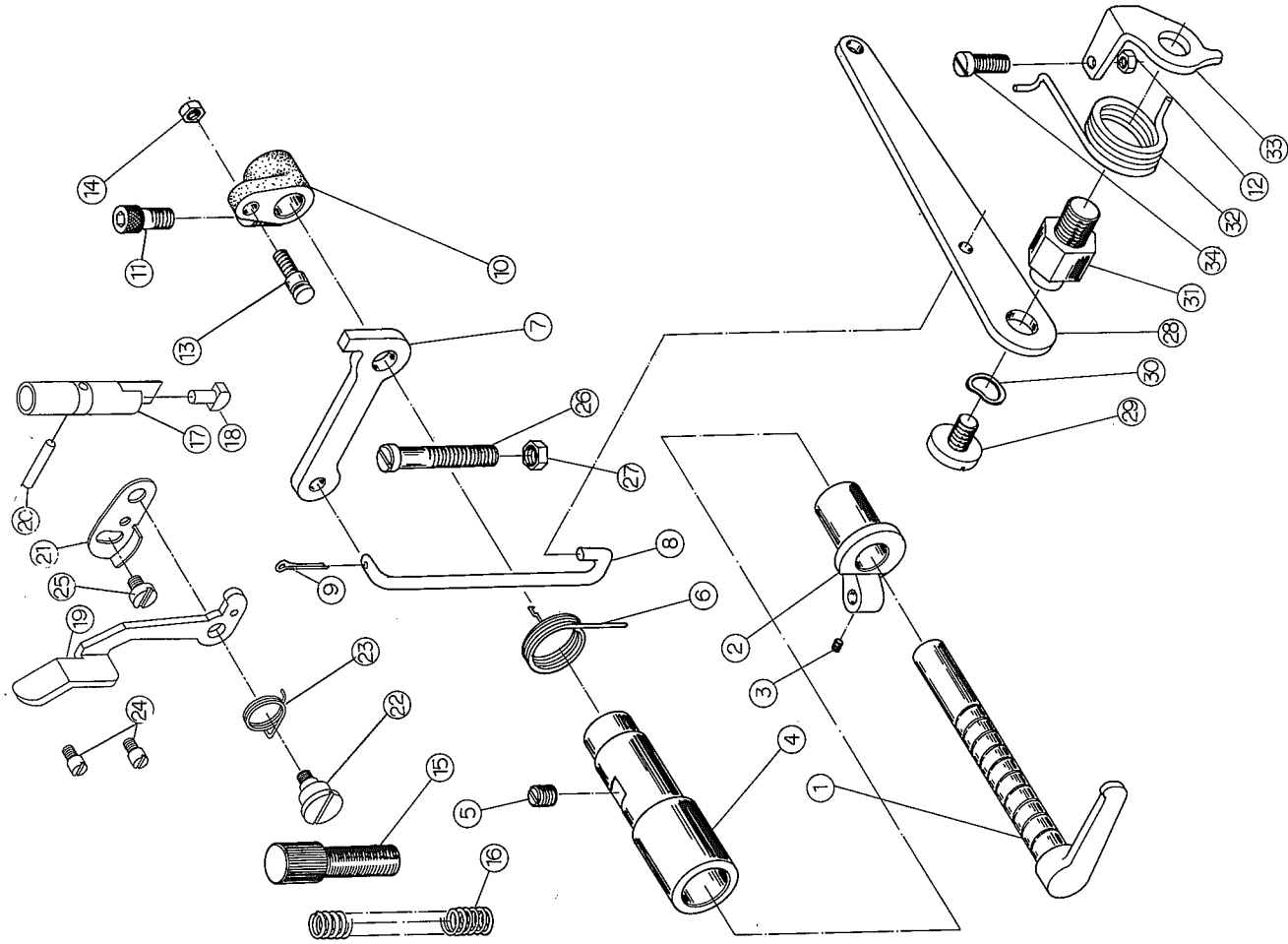
修正 REVISD

(8) CHAIN LOOPER COMPONENTS ( FOR SH6005 )  
鏈結線鈎與相關零件 ( 五線用 )



編號	圖號	名稱	數量
1	6050801A1100	擺動臂	1
2	6050802A300	由軸	1
3	SB44400706A	螺絲	1
4	6050804A1100	連桿	1
5	SP0208	彈簧銷	1
6	NB18221000	軸承	1
7	SK48321307C	螺絲	1
8	SN44400400A	螺絲	1
9	6050809A100	驅動座	1
10	6050810A400	滑塊	1
11	SB48321207A	螺絲	1
12	6050812A100	球軸	1
13	6050813A400	連桿	1
14	6050814A300	樞銷	1
15	6707	油線	1
16	SB36400505A	螺絲	1
17	SN44400400A	螺絲	2
18	6050818A100	曲柄	1
19	6050819A300	曲柄	1
20	6707	油線	1
21	MM60751210A	螺絲	1
22	SB36400505A	螺絲	1
23	6050823A300	軸	1
24	6050824G300	軸襯	1
25	6050825G300	軸襯	1
26	6050826A600	油封	1
27	6050827D100	擺動臂	1
28	6050828B700	墊圈	1
29	SK60281007F	螺絲	1
30	SN44400400A	螺絲	1
31	CL605294	結鈎	1

(9) PRESSER FOOT COMPONENTS  
壓脚機構(-)



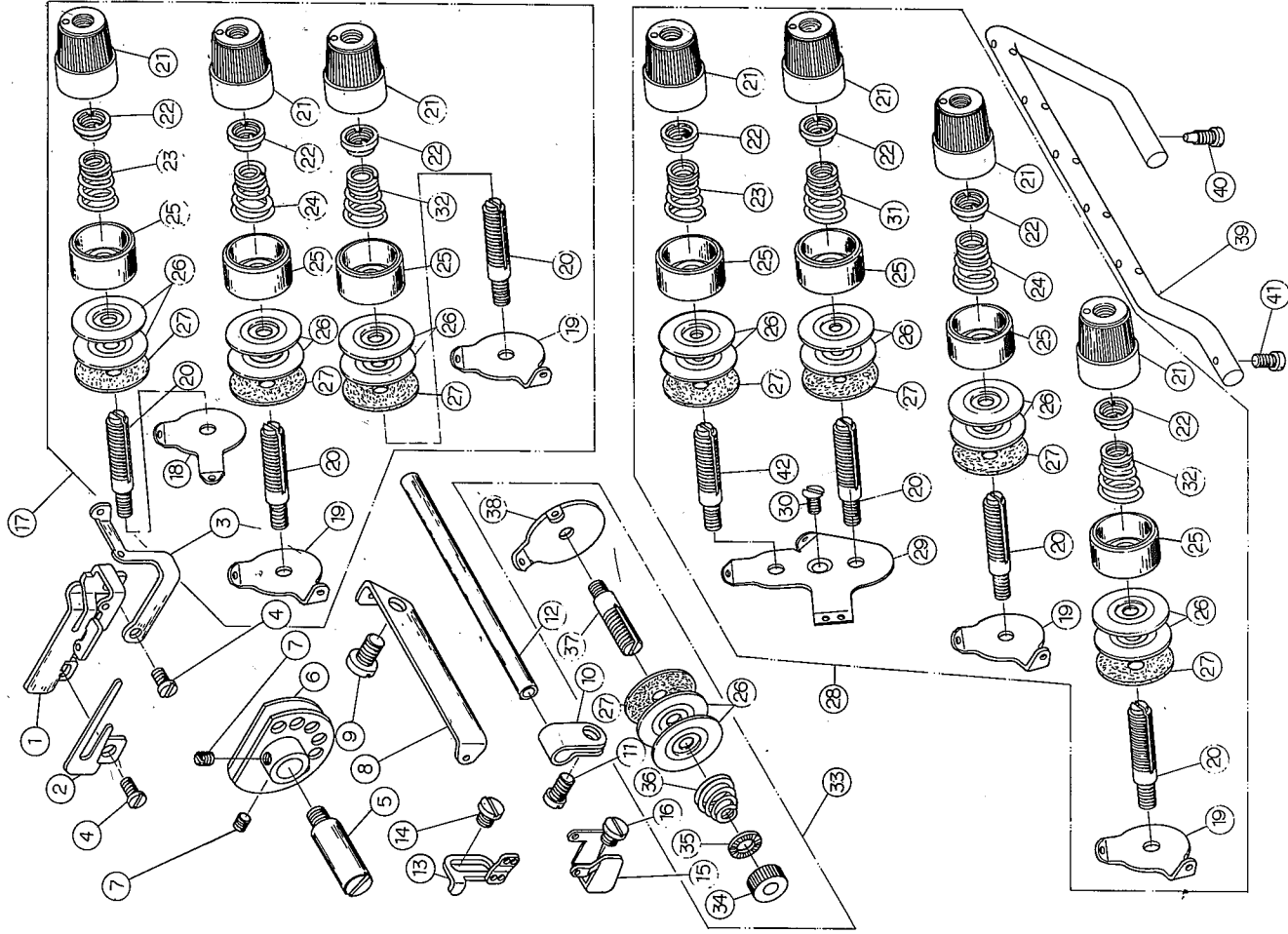
編號	圖號	名稱	數量
1	6030901A100	軸	1
2	6030902E200	軸襯	1
3	MN04070400A	螺絲	1
4	6030904F300	軸襯	1
5	SH60280700A	螺絲	1
6	6030906A800	彈簧	1
7	6030907B700	曲柄	1
8	6030908B800	掛鈎	1
9	SL0220	開口銷	1
10	6030910A100	曲柄	1
11	MM60751210A	螺絲	1
12	SA44400307A	螺帽	1
13	SB44401105J	螺絲	1
14	SA44400307A	螺帽	1
15	6030915D300	調節螺桿	1
16	6030916A800	彈簧	1
17	6030917A300	壓桿	1
18	6030918D600	壓子	1
19	6030919B700	板手	1
20	SP0318	彈簧銷	1
21	6030921B700	卡座	1
22	6030922D300	螺桿	1
23	6030923A800	彈簧	1
24	SB36400505C	螺絲	2
25	SJ44400508M	螺絲	1
26	SK60283708C	螺絲	1
27	SA60280309A	螺帽	1
28	6030928B700	連桿	1
29	SC64240916C	螺絲	1
30	6030930D700	波形墊圈	1
31	6030931D300	螺桿	1
32	6030932A800	彈簧	1
33	6030933B700	止動片	1
34	SK44401307A	螺絲	1





④① THREAD TENSION COMPONENTS

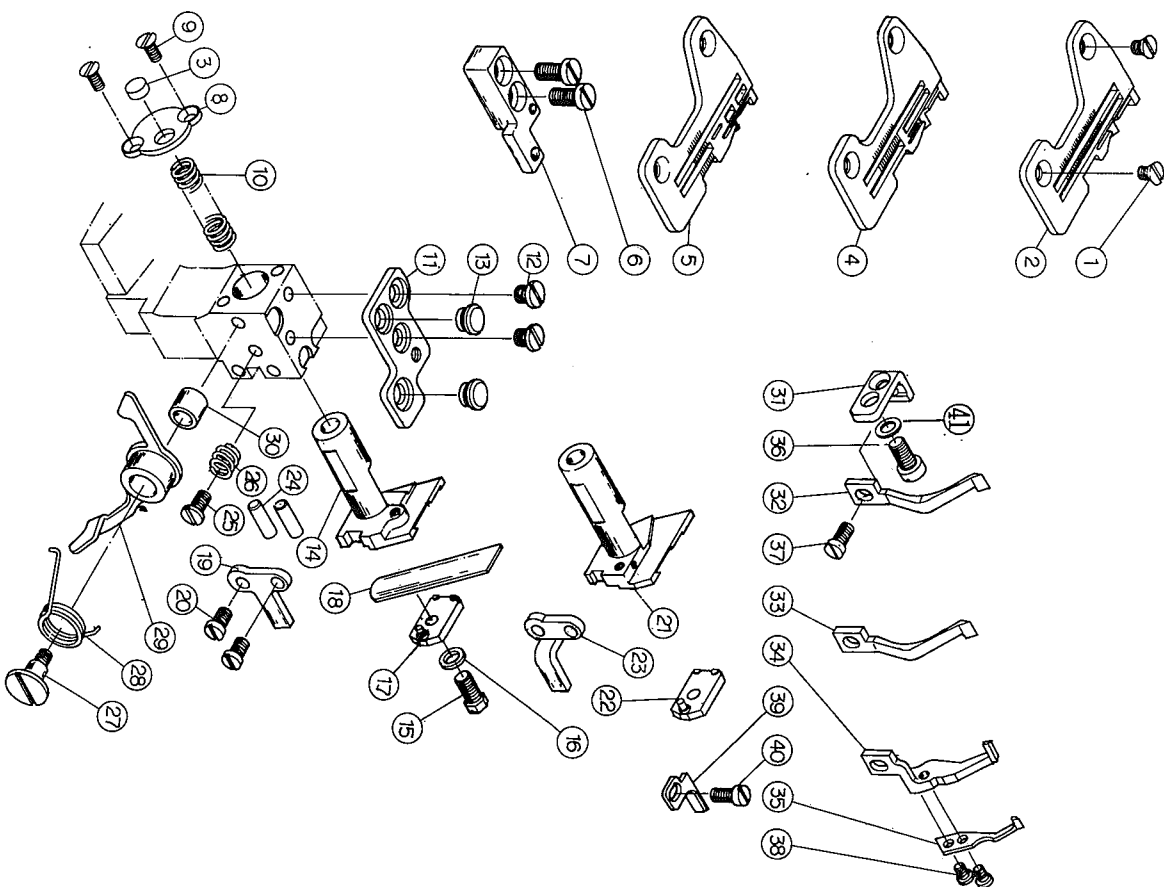
縫線張力調節機構



- | 編號   | 名稱                        | 圖號          | 數量 |
|------|---------------------------|-------------|----|
| • 1  | Chain looper thread guide | 6051101B700 | 1  |
| • 1  | Hook                      | 6051102B700 | 1  |
| • 1  | Chain looper thread guide | 6051103B700 | 1  |
| • 1  | Screw                     | SJ36400806M | 2  |
| • 1  | Stud                      | 6051105B300 | 1  |
| • 1  | Thread cam                | 6051106B700 | 1  |
| • 1  | Screw                     | SN44400400A | 2  |
| • 1  | Thread guide              | 6051108B700 | 1  |
| • 1  | Screw                     | SJ60281310M | 1  |
| • 1  | Mounting bracket          | 6051110B700 | 1  |
| • 1  | Screw                     | SJ44400907M | 1  |
| • 1  | Thread guide tube         | 6051112D300 | 1  |
| • 1  | Needle thread guide       | 6031113B700 | 1  |
| • 1  | Screw                     | SJ44400808M | 1  |
| • 1  | Needle thread guide       | 6051115B700 | 1  |
| • 1  | Screw                     | SJ44400808M | 1  |
| • 2  | Thread tension spring asm | 6031101A    | 1  |
| • 1  | Thread guide              | 6031118B700 | 1  |
| • 1  | Thread guide              | 6031119B700 | 1  |
| • 1  | Thread guide              | 6031120D300 | 3  |
| • 1  | Stud                      | 6031121D600 | 3  |
| • 1  | Nut                       | 6031122D600 | 7  |
| • 2  | Bushing                   | 6031123A800 | 7  |
| • 2  | Spring                    | 6031123A800 | 2  |
| • 4  | Spring                    | 6031124A800 | 4  |
| • 7  | Spring tube               | 6031125D600 | 7  |
| • 16 | Tension disc              | 6031126D700 | 16 |
| • 8  | Felt                      | 6031127L700 | 8  |
| • 1  | Tension controller asm    | 6041102A    | 1  |
| • 1  | Thread guide              | 6041129B700 | 1  |
| • 1  | Screw                     | SF44400607C | 1  |
| • 1  | Spring                    | 6041131A800 | 1  |
| • 1  | Spring                    | 6051132A800 | 1  |
| • 1  | Tension controller asm    | 6051103A    | 1  |
| • 1  | Nut                       | 6051134D300 | 1  |
| • 1  | Tension disc stopper      | 6051135B700 | 1  |
| • 1  | Spring                    | 6051136A800 | 1  |
| • 1  | Stud                      | 6051137D300 | 1  |
| • 1  | Thread guide              | 6051138B700 | 1  |
| • 1  | Thread guide              | 6031139B700 | 1  |
| • 1  | Screw                     | SB60281309H | 1  |
| • 1  | Screw                     | SB44400706A | 1  |
| • 1  | Stud                      | 6031142D300 | 1  |
| • 1  | For SH6005                |             | 1  |
| • 2  | For SH6003                |             | 1  |
| • 3  | For SH6004、SH6005         |             | 1  |

- | 名稱     | 圖號          | 數量 |
|--------|-------------|----|
| 導線     | 6051101B700 | 1  |
| 導線     | 6051102B700 | 1  |
| 導線     | 6051103B700 | 1  |
| 螺絲     | SJ36400806M | 2  |
| 螺絲     | 6051105B300 | 1  |
| 張力變換凸輪 | 6051106B700 | 1  |
| 螺絲     | SN44400400A | 2  |
| 導線     | 6051108B700 | 1  |
| 螺絲     | SJ60281310M | 1  |
| 固定夾    | 6051110B700 | 1  |
| 螺絲     | SJ44400907M | 1  |
| 導線管    | 6051112D300 | 1  |
| 導線     | 6031113B700 | 1  |
| 螺絲     | SJ44400808M | 1  |
| 導線     | 6051115B700 | 1  |
| 螺絲     | SJ44400808M | 1  |
| 張力控制組  | 6031101A    | 1  |
| 導線     | 6031118B700 | 1  |
| 導線     | 6031119B700 | 1  |
| 導線     | 6031120D300 | 3  |
| 螺絲     | 6031121D600 | 3  |
| 調節螺帽   | 6031122D600 | 7  |
| 套管     | 6031123A800 | 7  |
| 彈簧     | 6031123A800 | 2  |
| 彈簧     | 6031124A800 | 4  |
| 彈簧座    | 6031125D600 | 7  |
| 張力盤    | 6031126D700 | 16 |
| 減震墊    | 6031127L700 | 8  |
| 張力控制組  | 6041102A    | 1  |
| 導線     | 6041129B700 | 1  |
| 螺絲     | SF44400607C | 1  |
| 彈簧     | 6041131A800 | 1  |
| 彈簧     | 6051132A800 | 1  |
| 張力控制組  | 6051103A    | 1  |
| 調節螺帽   | 6051134D300 | 1  |
| 止滑墊圈   | 6051135B700 | 1  |
| 彈簧     | 6051136A800 | 1  |
| 螺絲     | 6051137D300 | 1  |
| 導線     | 6051138B700 | 1  |
| 導線     | 6031139B700 | 1  |
| 螺絲     | SB60281309H | 1  |
| 螺絲     | SB44400706A | 1  |
| 螺絲     | 6031142D300 | 1  |

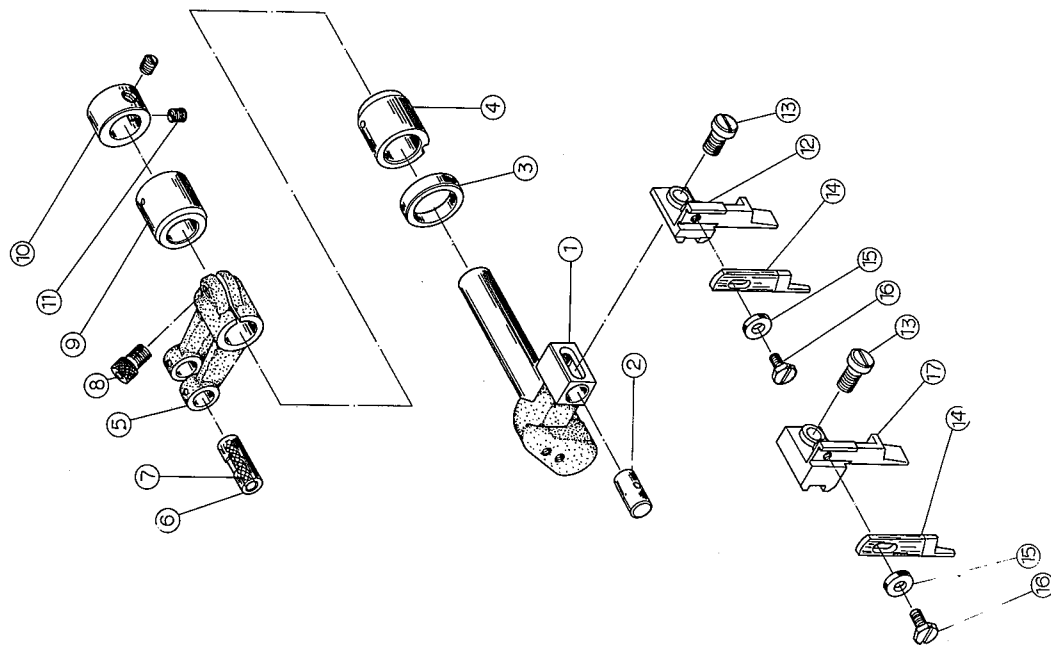
(29) LOWER KNIFE COMPONENTS  
下刀與相關零件



編號	名稱	圖號	數量
1	Screw	SF44400607C	2
2	Throat plate	TP603032	1
3	Plug	6031203L300	2
4	Throat plate	TP604A32	1
5	Throat plate	TP605C32	1
6	Screw	SJ48281208M	2
7	Throat plate base	6031207B400	1
8	Spring stopper	6031208B700	1
9	Screw	SF36400607B	2
10	Spring	6031210A800	1
11	Throat plate base	6031211B700	1
12	Screw	SE44400608L	2
13	Rubber plug	6031213A600	1
14	Lower knife holder	6031214E200	1
15	Screw	SK44400907A	1
16	Washer	PW051015	1
17	Presser plate	6031217B700	1
18	Lower knife	6031218P700	1
19	Rotating stopper	6031219P700	1
20	Screw	SJ36400806M	2
21	Lower knife holder	6051221E200	1
22	Presser plate	6031217B700	1
23	Rotating stopper	6051223B700	1
24	Holder pin	ST0414	2
25	Screw	SC44401008A	1
26	Spring	6031226A800	1
27	Hinge Screw	SB44401614G	1
28	Lever Spring	6031228A800	1
29	Lever	6031229B700	1
30	Rubber plug	6031230A600	1
31	Needle guide holder	6031231B700	1
32	Needle guide	6031232E200	1
33	Needle guide	6031233E200	1
34	Needle guide	6051234E200	1
35	Needle guide	6051235E200	1
36	Screw	SK44401307A	1
37	Screw	SK36400807A	1
38	Screw	SE32440405L	2
39	Needle guide	6051239E200	1
40	Screw	SE36400406L	1
41	Washer	PW051007	1

UPPER KNIFE COMPONENTS

上刀與相關零件



編號	圖號	名稱	數量
1	6031301A100	上刀柄	1
2	6031302D300	銷	1
3	6031303A600	油封	1
4	6031304C300	軸襯	1
5	6031305A100	曲柄	1
6	6030427A300	樞銷	1
7	6707	油線	1
8	MM60751210A	螺絲	1
9	6031309G300	軸襯	1
10	6031310D300	定位環	1
11	SH56320500A	螺絲	2
12	6031312E200	上刀台	1
13	SC44401008A	螺絲	1
14	6031314C500	上刀	1
15	PW040912	墊圈	1
16	SK36400807A	螺絲	1
17	6051317E200	上刀台	1

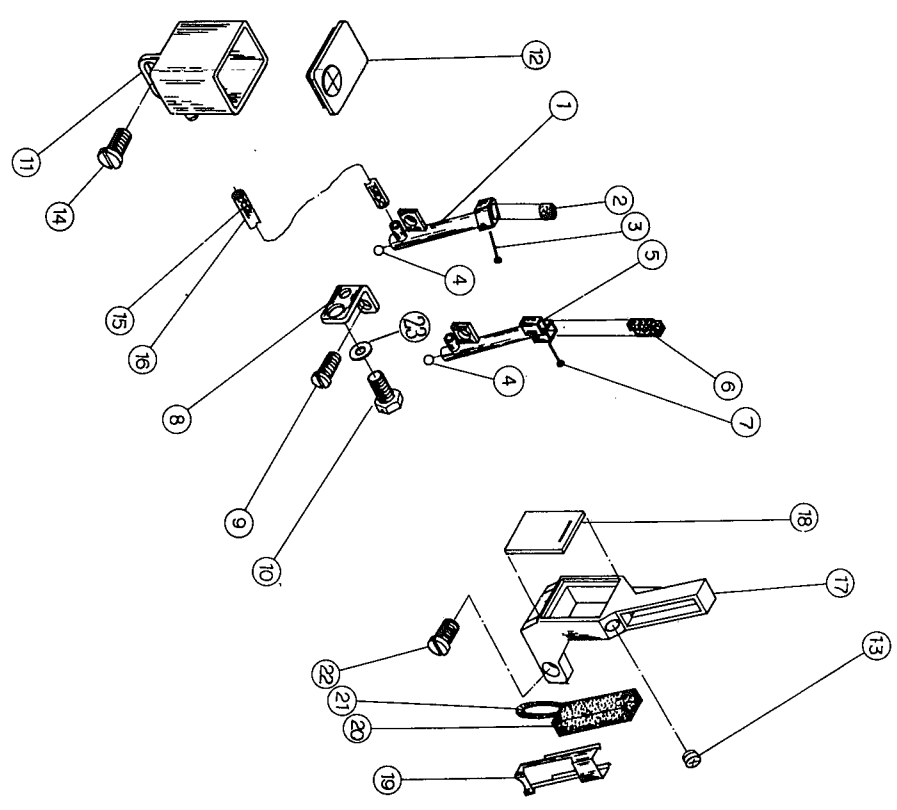
• 1 12 Upper knife support

• 1 17 Upper knife support

• 1 For SH6003、SH6004

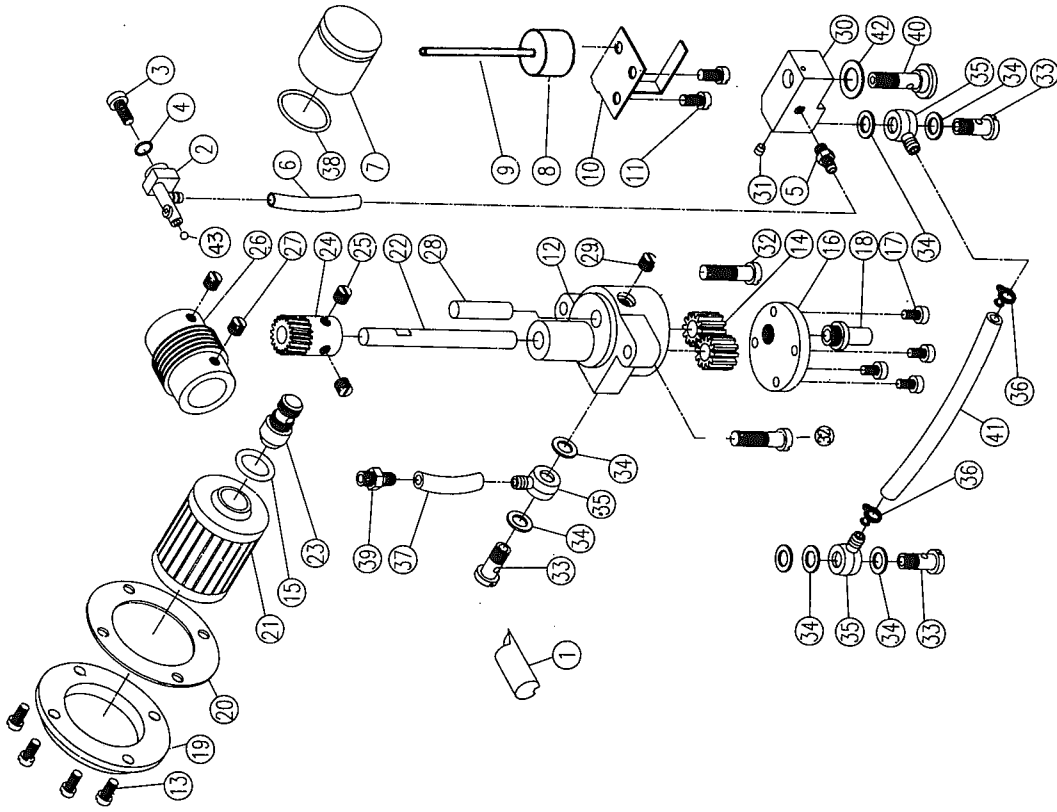
• 2 For SH6005

10 NEEDLE COOLING MECHANISM  
針與縫線冷却裝置



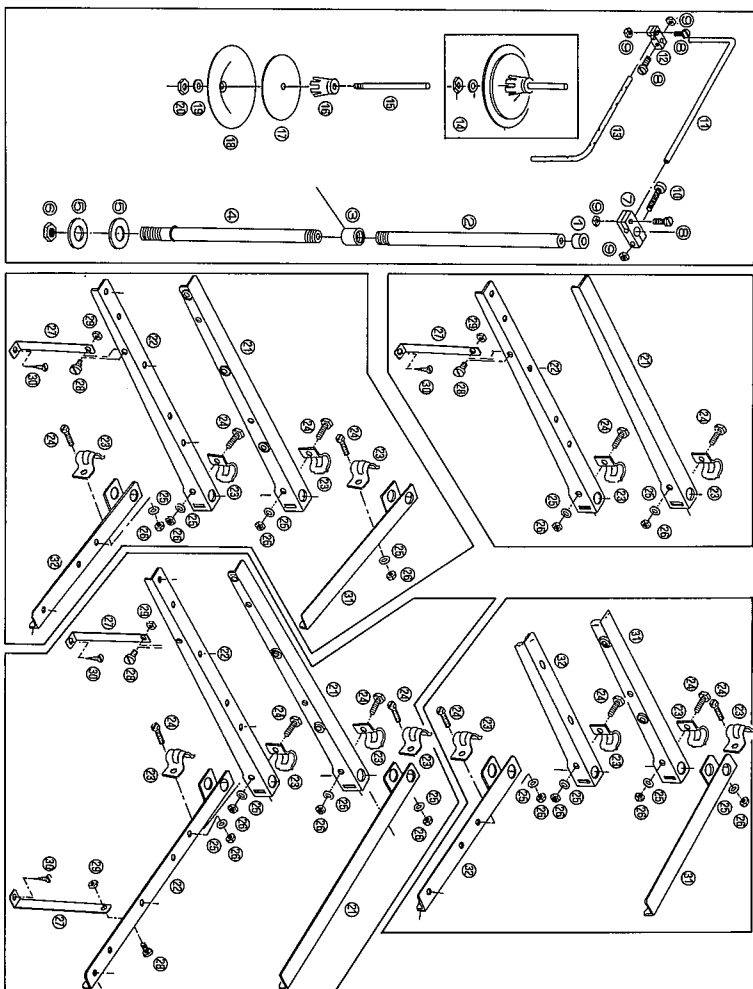
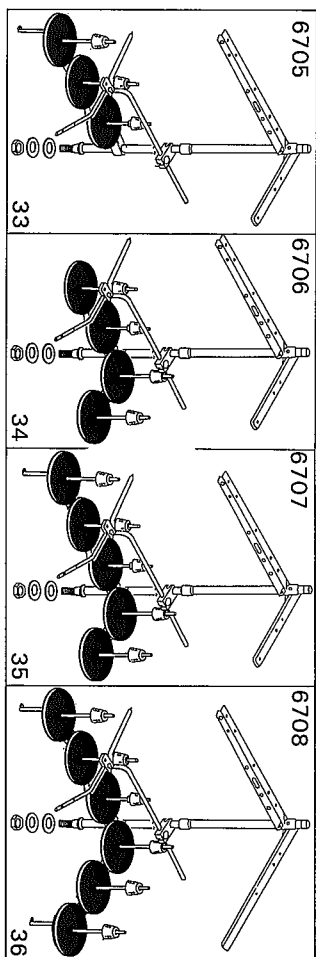
編號	名稱	圖號	數量
• 1 1	Needle cooler	6031401D200	1
• 1 2	Felt	6031402L700	1
• 1 3	Wire	6031403B800	1
4	Plug	6031404H300	1
• 2 5	Needle cooler	6051405D200	1
• 2 6	Felt	6051406D200	1
• 2 7	Wire	6051407D800	1
8	Support	6031408B700	1
9	Screw	SK36400707M	1
10	Screw	SK44401307A	1
11	Oil tank	6031411D200	1
12	Oil tank cover	6031412A600	1
13	Plug	6031413A600	1
14	Screw	SC44401008A	1
15	Oil wick	6707	1
16	Oil tube	6692	1
17	Tank	6031417D200	1
18	Oil sign gauge	6031418B600	1
19	Cover	6031419D700	1
20	Sponge	6031420L700	1
21	Oil wick	6707	1
22	Screw	SB44400807A	1
23	Washer	PW051007	1
• 1	For SH6003、SH6004		
• 2	For SH6005		

05 LUBRICATION MECHANISM  
潤滑系統



編號	名稱	圖號	數量
1	Bushing	6031501D600	1
2	Oil exhaust holder	6031502B700	1
3	Screw	SJ44401208M	1
4	Rubber ring	ORP06	1
5	Oil tube joint	6031505G300	1
6	Oil tube	6692	1
7	Oil sign gauge	6031507K300	1
8	Float	6031508C900	1
9	Indicator	6031509D600	1
10	Indicator support	6031510B700	1
11	Screw	SJ44400907M	2
12	Oil pump base	6031512A200	1
13	Screw	SJ44401208M	4
14	Gear	6031514A500	2
15	Rubber ring	ORP12	1
16	Cover	6031516B700	1
17	Screw	SJ36400707M	4
18	Oil tube	6031518B700	1
19	Filter cover	6031519D200	1
20	Gasket	6031520G700	1
21	Cartridge filter	6031521G700	1
22	Shaft	6031522A300	1
23	Oil tube joint	6031523G300	1
24	Worm gear	6031524B300	1
25	Screw	SH56320500A	2
26	Worm	6031526A300	1
27	Screw	SN56320500A	2
28	Shaft	6031528A300	1
29	Screw	SH44400400A	1
30	Distribute block	6031530D200	1
31	Plug	6031531H300	1
32	Screw	SE48282007L	2
33	Screw	6031533D300	3
34	Washer	6031534E600	7
35	Oil tube joint	6031535D600	3
36	Snap ring	6031536A800	2
37	Oil tube	6031537A600	1
38	Oil seal	6030320A600	1
39	Oil tube joint	6031539G300	1
40	Screw	6031540G300	1
41	Oil tube	6031541A600	1
42	Washer	6031542E600	1
43	Plug	6031543D600	1

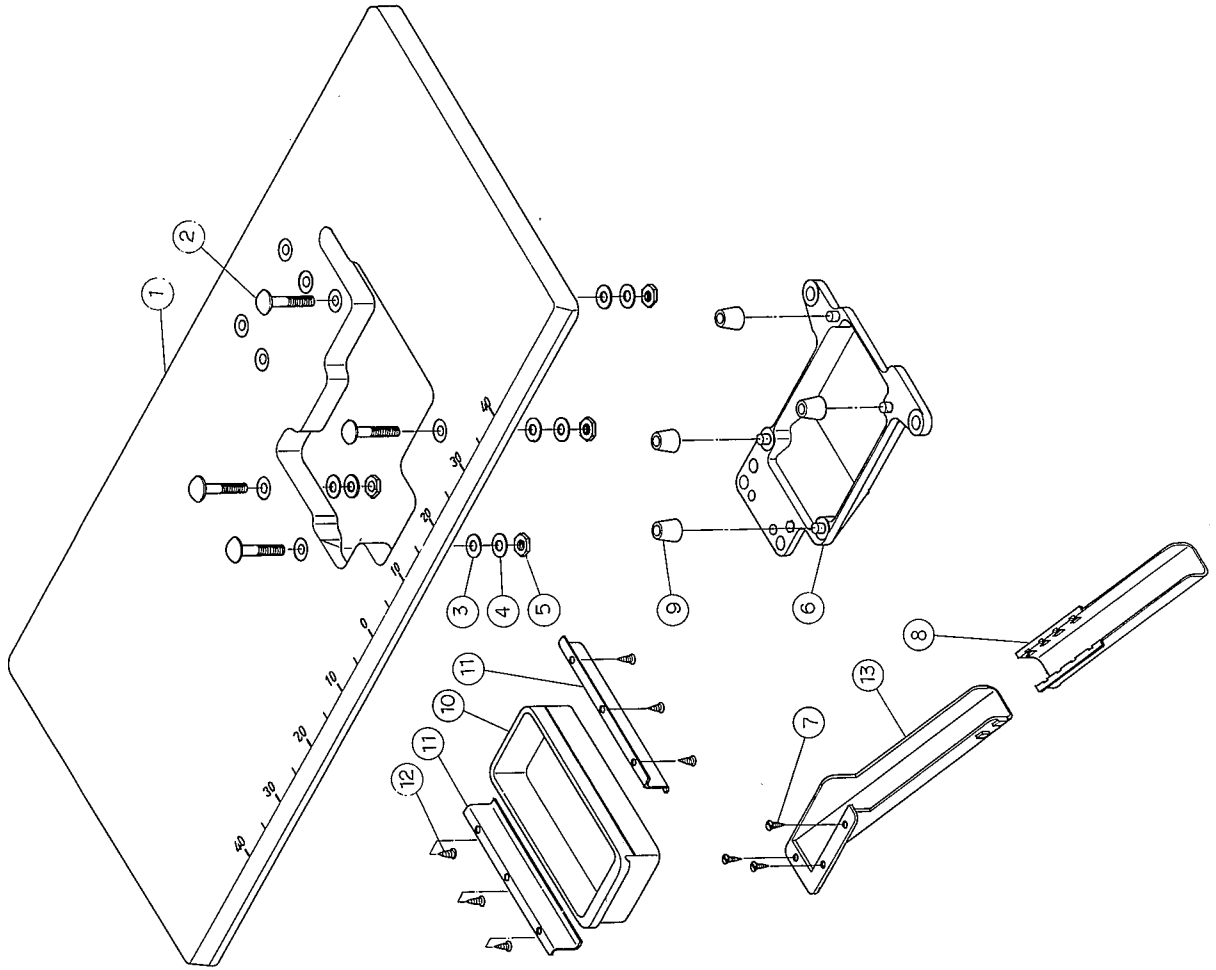
06 THREAD STAND COMPONENTS  
線架裝置



編號	圖號	名稱	數量
1	67051	柱帽	1
2	67052	上接頭	1
3	67053	下接頭	1
4	67054	下柱	1
5	67055	墊圈	2
6	67056	螺帽	1
7	67057	接頭	1
8	67058	螺絲	3
9	67059	螺帽	4
10	670510	螺絲	4
11	670511	底座	1
12	670512	接頭	1
13	670513	導線桿	1
14	670514	線盤組	3
15	670514	線盤組	3
16	670514	線盤組	4
17	670514	線盤組	5
18	670514	線盤組	6
19	670515	線盤軸	1
20	670516	定心錐	1
21	670517	線衝墊	1
22	670518	彈簧墊圈	1
23	670519	螺帽	1
24	670520	螺絲	1
25	670521	導線桿	1
26	670521	導線桿	1
27	670522	線盤座	2
28	670522	線盤座	2
29	670523	夾板	1
30	670524	螺絲	1
31	670525	彈簧墊圈	1
32	670526	螺帽	1
33	670527	螺絲	1
34	670527	螺絲	1
35	670528	螺絲	1
36	670528	螺絲	1
37	670529	螺帽	1
38	670530	木螺絲	1
39	670530	木螺絲	2
40	670531	導線	2
41	670531	導線	2
42	67061	線盤座	1
43	67052	線盤座	1
44	6705	線盤座	2
45	6706	線盤座	1
46	6707	線盤座	1
47	6708	線盤座	1

① SEMI-SUNKEN TYPE TABLE COMPONENTS

卓板裝置



編號

- 1 Table
- 2 Screw
- 3 Washer
- 4 Washer
- 5 Nut
- 6 Frame support plate
- 7 Screw
- 8 Waste chute, lower
- 9 Rubber
- 10 Drawer
- 11 Drawer support
- 12 Screw
- 13 Waste.chute, upper

圖號

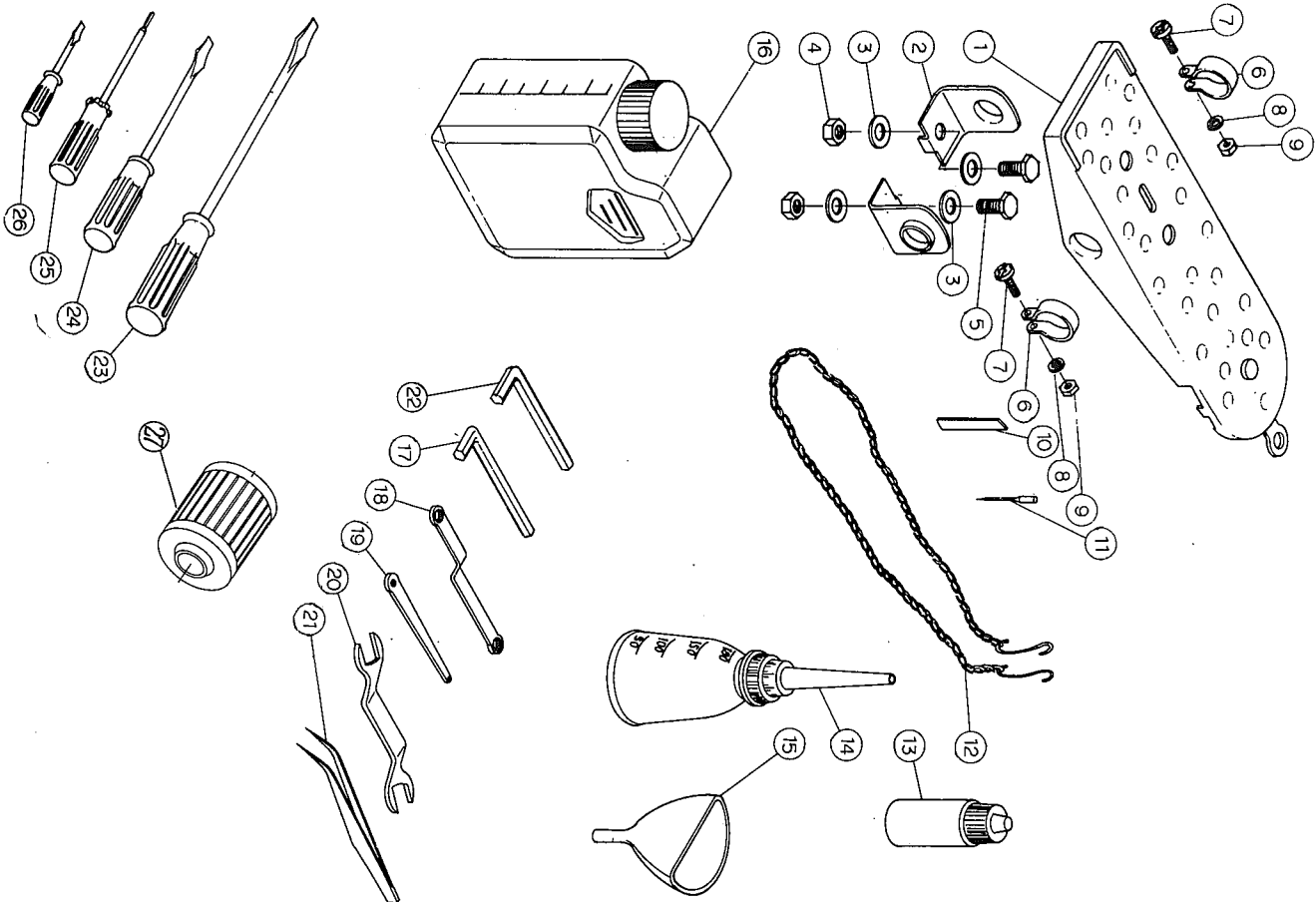
- 6721 車板
- 6031702D300 螺絲
- 6031703B700 墊圈
- 6031704B700 墊圈
- SA10160714A 螺帽
- 6031706C200 托底板
- WF03131706A 螺絲
- 6742 下導布屑
- 6031709A600 防震墊
- 6751 抽屜
- 6752 抽屜架
- WF05142207A 螺絲
- 6741 上導布屑

名稱

數量

08 ACCESSORIES

工具及附件

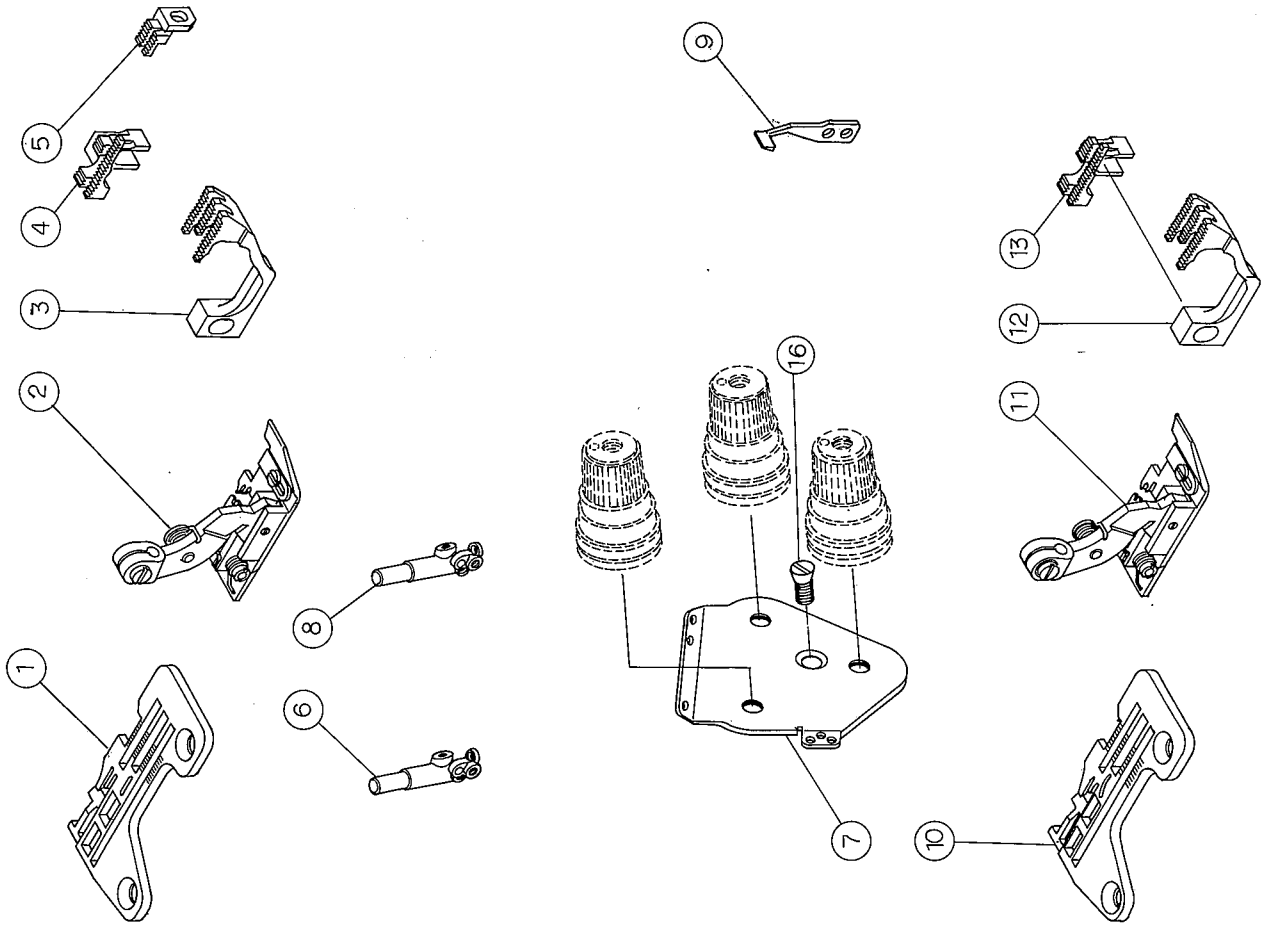


編號	圖號	名稱	稱數
1	67001	踏板	1
2	67002	樞軸	2
3	67003	墊圈	4
4	67004	螺帽	2
5	67005	螺絲	2
6	67006	扣環	2
7	67007	螺絲	2
8	67008	墊圈	2
9	67009	螺帽	2
10	6031218P700	下刀	1
11	6732	針	10
12	6695	傳動鏈	1
13	6720	油壺	1
14	6721	油瓶	1
15	6722	油漏斗	1
16	6715	油罐	1
17	6635	六角板手	1
18	6655	內六角板手	1
19	6656	內六角板手	1
20	6625	開口板手	1
21	6690	夾子	1
22	6636	六角板手	1
23	6665	平口起子	1
24	6666	平口起子	1
25	6675	六角起子	1
26	6667	平口起子	1
27	6031521G700	濾油器	1



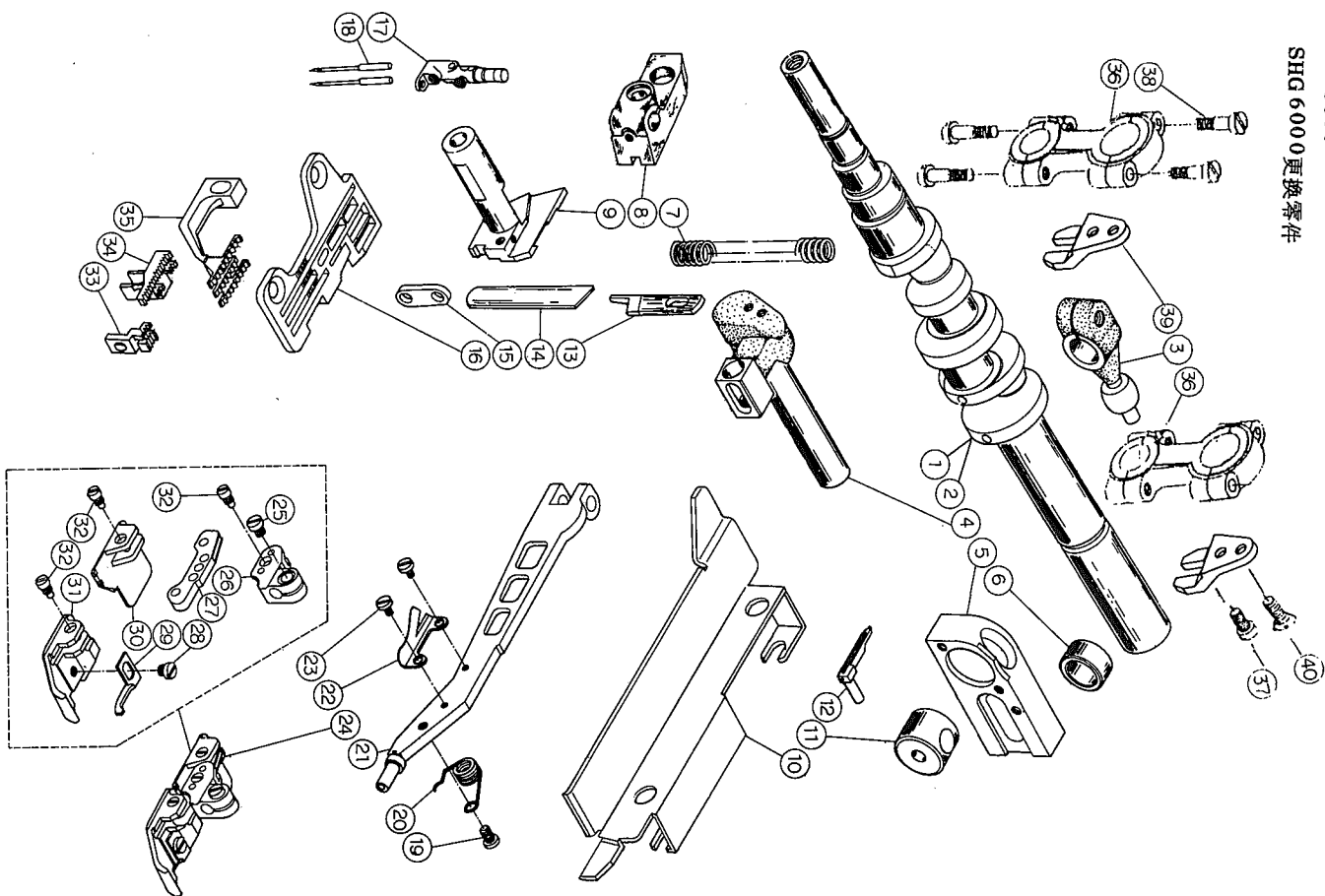
(19) FOR SH16006

六線用



編號	圖號	名稱	數量
• 1	TP606CA3	針板	1
• 1	PF606CA3	壓腳組	1
• 1	DF86009	送布齒	1
• 1	FD60823	送布齒	1
• 1	AF60874	送布齒	1
• 1	NC606032	針留	1
• 1	6061907B700	導線	1
• 2	NC606048	針留	1
• 2	6061909E200	導針 <NG606908>	1
• 2	TP606DA3	針板	1
• 2	PF606DA3	壓腳組	1
• 2	DF86009	送布齒	1
• 2	FD60840	送布齒	1
• 2	AF60874	送布齒	1
• 1	For 6006CA3		
• 2	For 6006DA3		

(20) SHG6000 SPARE PARTS  
SHG 6000 更換零件



圖號	名稱	數量
1	主軸	1
2	主軸	1
3	球軸	1
4	上刀軸	1
5	軸承座	1
6	定位環	1
7	彈簧	1
8	針棒支持臂	1
9	下刀台	1
10	布板側擋	1
11	擺動軸承	1
12	結線鉤	1
13	上刀	1
14	下刀	1
15	墊片	1
16	針板	1
17	針留	1
18	針	2
19	螺絲	1
20	彈簧	1
21	壓力臂	1
22	切線刀	1
23	螺絲	1
24	螺絲	2
25	螺絲	1
26	螺絲	1
27	螺絲	1
28	螺絲	1
29	螺絲	1
30	螺絲	1
31	螺絲	1
32	螺絲	3
33	螺絲	1
34	螺絲	1
35	螺絲	1
36	螺絲	1
37	螺絲	2
38	螺絲	2
39	螺絲	8
40	螺絲	2

For SHG6004

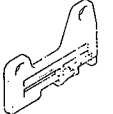


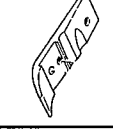

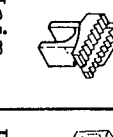
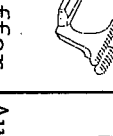
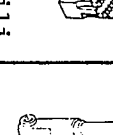

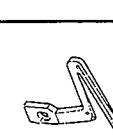
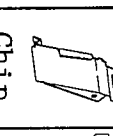
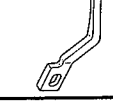

## SH6003 系列機型主要更換零件

## List of Main Spare Parts for SH 6003

更 換 機 型 Model s	Main Parts 零件	Throat plate	Presser foot asm	presser foot hinge	Presser foot	Stitch tongue	Main feed dog	Differ- ential feed dog	Auxili- ary feed dog	Upper looper	Lower looper	Chip guard cover	Needle clamp
SH6002-032-M02		TP 603032	PF603032	PF603032A	PF603032B	PF603032C	FD60821	DF8040T	AF60871	UL603886	LL603884	6030131 B700	NC603033
SH6003-032-M04		TP603032	PF603032	PF603032A	PF603032B	PF603032C	FD60821	DF8040T	AF60871	UL603880	LL603884	6030131 B700	NC603033
SH6003-052-M04		TP603052	PF603052	PF603032A	PF603052B	PF603052C	FD60821	DF8040T	AF60871	UL603880	LL603884	6040132 B700	NC603033
SH6003-062-M04		TP603062	PF603062	PF603032A	PF604B33B	PF603052C	FD60821	DF8040T	AF60871	UL603880	LL603884	6040132 B700	NC603033
SH6003-053-H04		TP603053	PF603052	PF603032A	PF603052B	PF603052C	FD60822	DF85100	AF60871	UL603880	LL603884	6040132 B700	NC603033
SH6003-063-H04		TP603063	PF603062	PF603032A	PF604B33B	PF603052C	FD60822	DF85100	AF60871	UL603880	LL603884	6040132 B700	NC603033
SH6013-032-L05		TP603032	PF613032	PF603032A	PF613032B	PF613032C	FD60821	DF8040T	AF60871	UL603880	LL603884	6030131 B700	NC603033
SH6023-032-M04		TP623032	PF603032	PF603032A	PF603032B	PF603032C	FD60821	DF8040T	AF60871	UL603880	LL603884	6030131 B700	NC603033
SH6023-053-H04		TP623053	PF603052	PF603032A	PF604B33B	PF623053C	FD60822	DF85100	AF60871	UL603880	LL603884	6040132 B700	NC603033
SH6043-033-M04		TP643033	PF643033	PF603032A	PF603052B	PF603032C	FD60834	DF814BL	AF60871	UL603880	LL603884	6030131 B700	NC603033
SH6083-053-H04		TP603053	PF683053	PF603032A	PF683053B	PF603052C	FD60822	DF85100	AF60871	UL603880	LL603884	6040132 B700	NC603033
SH60B2-022-F02		TP6B3022	PF6B3022	PF603032A	PF603032B	PF6B3022C	FD60821	DF8040T	AF60870	UL603886	LL603884	6030131 B700	NC603033
SH60B3-022-L04		TP6B3022	PF6B3022	PF603032A	PF603032B	PF6B3022C	FD60821	DF8040T	AF60870	UL603880	LL603884	6030131 B700	NC603033
SH60C3-032-M04		TP6C3032										6039131 B700	NC603033

## SH 6004 系列機型主要更換零件

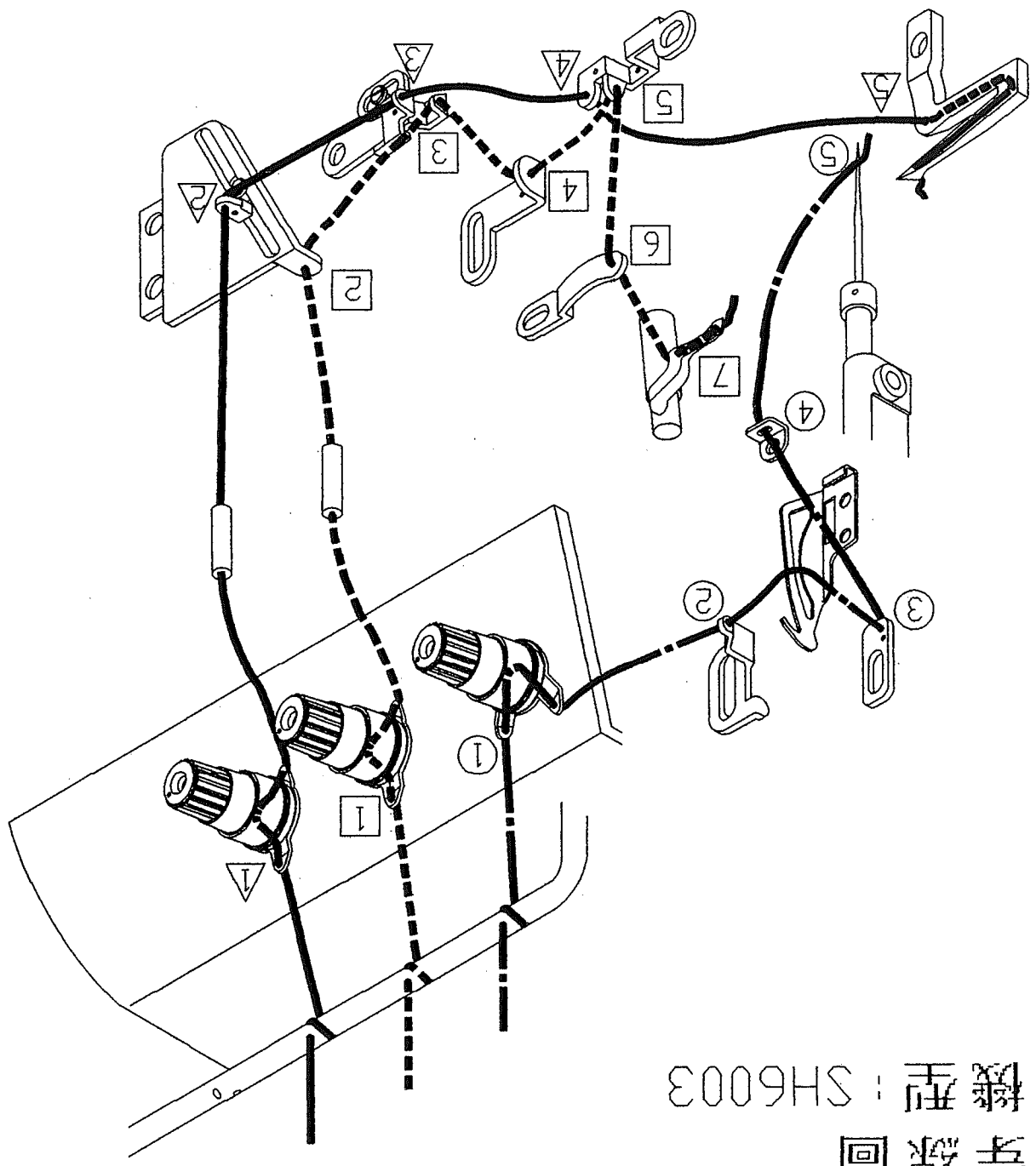
## List of Main Spare Parts for SH 6004

更換零件 Main Parts Models													
SH6004-A32-M14	TP 604A32	PF604A32	PF603032A	PF604A32B	PF604A32C	FD 60971	DF814BE	AF 60871	NC604022	UL 604883	LL 603884	6040132 B700	NG604903
SH6004-A42-M14	TP 604A42	PF604A32	PF603032A	PF604A32B	PF604A32C	FD 60971	DF814BE	AF 60871	NC604022	UL 604883	LL 603884	6040132 B700	NG604903
SH6004-A33-M14	TP 604A33	PF604A32	PF603032A	PF604A33B	PF604A32C	FD 60824	DF86504	AF 60871	NC604022	UL 604883	LL 603884	6040132 B700	NG604903
SH6004-A43-M14	TP 604A43	PF604A32	PF603032A	PF604A32B	PF604A32C	FD 60824	DF86504	AF 60871	NC604022	UL 604883	LL 603884	6040132 B700	NG604903
SH6004-A53-M14	TP 604A53	PF604A32	PF603032A	PF604A32B	PF604A32C	FD 60824	DF86504	AF 60871	NC604022	UL 604883	LL 603884	6040132 B700	NG604903
SH6004-B33-M14	TP 604B33	PF604B33	PF603032A	PF604B33B	PF604B33C	FD 60825	DF90706	AF 60872	NC604026	UL 604880	LL 603884	6040132 B700	NG604904
SH6004-B53-H12	TP 604B53	PF604B33	PF603032A	PF604B33B	PF604B33C	FD 60825	DF90706	AF 60872	NC604026	UL 604880	LL 603884	6040132 B700	NG604904
SH6024-A43-M14	TP 624A43	PF604A32	PF603032A	PF604A32B	PF604A32C	FD 60824	DF86504	AF 60871	NC604022	UL 604883	LL 603884	6040132 B700	NG604903
SH6044-A33-M14	TP 644A33	PF644A33	PF603032A	PF643033B	PF604A32C	FD 60834	DF814BL	AF 60871	NC604022	UL 604883	LL 603884	6040132 B700	NG604903
SH6064-A32-M14	TP 604A32	PF664A32	PF664A32A	PF664A32B		FD 60971	DF814BE	AF 60871	NC604022	UL 604883	LL 603884	6040132 B700	NG604903
SH6074-A43-M14	TP 644A33	PF674A43	PF664A32A	PF664A32B		FD 60834	DF814BL	AF 60871	NC604022	UL 604883	LL 603884	6040132 B700	NG604903
SH6084-A43-H14	TP 604A43	PF684A43	PF683053A	PF683053B	PF604A32C	FD 60824	DF86504	AF 60871	NC604022	UL 604883	LL 603884	6040132 B700	NG604903
SH6094-A43-M14	TP 694A43	PF694A43	PF603032A	PF694A43B	PF604A43C	FD 60824A	DF86504A	AF 60871	NC604022	UL 604882	LL 604885	6040132 B700	NG604903
SH60D4-A32-M14	TP 6D4A32	PF6D4A32	PF664A32A	PF6D4A32B		FD 60971	DF814BE	AF 60871	NC604022	UL 604883	LL 604884	6040132 B700	NG604903
SHG6094-A43-H14	TP 694A43	PF694A43	PF603032A	PF604A32B	PF604A32C	FD 60824A	DF86504A	AF 60871	NC604022	GUL 604152	LL 604885	6040132 B700	NG604903

SH6005 系列機型主要更換零件  
List of Main Spare Parts for SH6005

更換機型 Main Parts Models	Throat plate	Presser foot asm	Presser foot hinge	Presser foot	Rear presser foot	Main feed dog	Differ- ential feeddog	Auxil- iary feeddog	Needle clamp	Upper looper	Lower looper	Chip guard cover	Needle guide	Needle guide	Needle guide
SH6005-A32-M16	TP605A32	PF605A32	PF605A32A	PF605A32B	PF605A32C	FD60826	DF85209	AF60873	NC605020	UL603880	LL603884	6050133 B700	NG605905	NG605906	NG605907
SH6005-C32-M16	TP605C32	PF605C32	PF605A32A	PF605C32B	PF605C32C	FD60828	DF85209	AF60874	NC605032	UL603880	LL603884	6050133 B700	NG605905	NG605906	NG605907
SH6005-C52-M16	TP605C52	PF605C32	PF605A32A	PF605C32B	PF605C32C	FD60828	DF85209	AF60874	NC605032	UL603880	LL603884	6050134 B700	NG605905	NG605906	NG605907
SH6005-C62-M16	TP605C62	PF605C32	PF605A32A	PF605C32B	PF605C32C	FD60828	DF85209	AF60874	NC605032	UL603880	LL603884	6050134 B700	NG605905	NG605906	NG605907
SH6005-C53-M16	TP605C53	PF605C32	PF605A32A	PF605C32B	PF605C32C	FD60840	DF86009	AF60874	NC605032	UL603880	LL603884	6050134 B700	NG605905	NG605906	NG605907
SH6005-D53-L16	TP605D53	PF605D53	PF605D53A	PF605D53B	PF605D53C	FD60840	DF86009	AF60874	NC605048	UL603880	LL603884	6050134 B700	NG605905	NG605906	NG605907
SH6005-D53-H16	TP605D53	PF605D53	PF605D53A	PF605D53B	PF605D53C	FD60830	DF85407	AF60873	NC605048	UL603880	LL603884	6050134 B700	NG605905	NG605906	NG605907
SH6005-D63-H16	TP605D63	PF605D53	PF605D53A	PF605D53B	PF605D53C	FD60830	DF85407	AF60873	NC605048	UL604880	LL603884	6050134 B700	NG605905	NG605906	NG605907
SH6045-D53-M16	TP645D53	PF645D53	PF605D53A	PF645D53B	PF605D53C	FD60841	DF85902	AF60874	NC605048	UL603880	LL603884	6050134 B700	NG605905	NG605906	NG816FC
SH6045-C53-M16	TP605C53	PF645C53	PF605A32A	PF645C53B	PF605C32C	FD60841	DF85902	AF60874	NC605032	UL603880	LL603884	6050134 B700	NG605905	NG605906	NG605907
SH6055-C32-M16	TP655C32	PF655C32	PF605A32A	PF655C32B	PF605C32C	FD60828	DF85209A	AF60874	NC605032	UL603880	LL603884	6050133 B700	NG605905	NG605906	NG605907
SH6065-C32-M16	TP605C32	PF665C32	PF665C32A	PF665C32B		FD60828	DF85209	AF60874	NC605032	UL603880	LL603884	6050133 B700	NG605905	NG605906	NG605907
SH6075-C53-M16	TP605C53	PF675C53	PF665C32A	PF665C32B		FD60841	DF85902	AF60874	NC605032	UL603880	LL603884	6050134 B700	NG605905	NG605906	NG605907
SH6034-D03-M45	TP634D03	PF634D03	PF634D03A	PF634D03B		FD60842	DF86108	AF60875	NC605048			BD0133 B700	NG605905	NG605910	NG816FC
SH6006-CA33-M43	TP606CA3	PF606CA3	PF605A32A	PF606CA3B	PF606CA3C	FD60840	DF86009	AF60874	NC606032	UL604883	LL603884	6050134 B700	NG605905	NG605908	NG605907
SH6006-DA33-M43	TP606DA3	PF606DA3	PF605D53A	PF606DA3B	PF606DA3C	FD60840	DF86009	AF60874	NC606048	UL604883	LL603884	6050134 B700	NG605905	NG605908	NG605907
SH6005-D53-H16	GTP605D63	GPF605D63	GPF605D63A	GPF605D63B	GPF605D63C	FD60283	DF28403	AF60876	GNC605048	GUL605150	LL603884	6050134 B700	NG605905	NG605906	NG605907

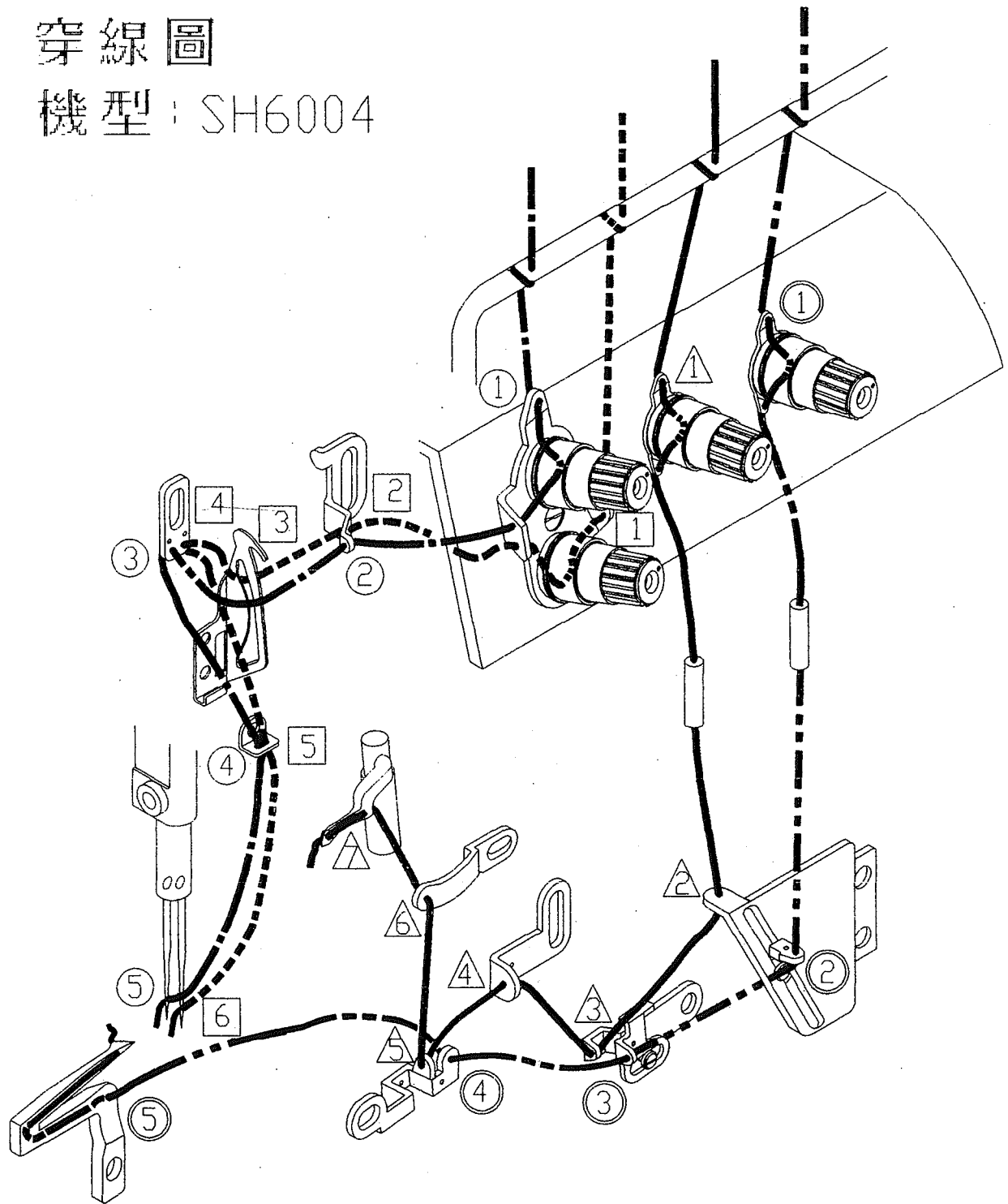




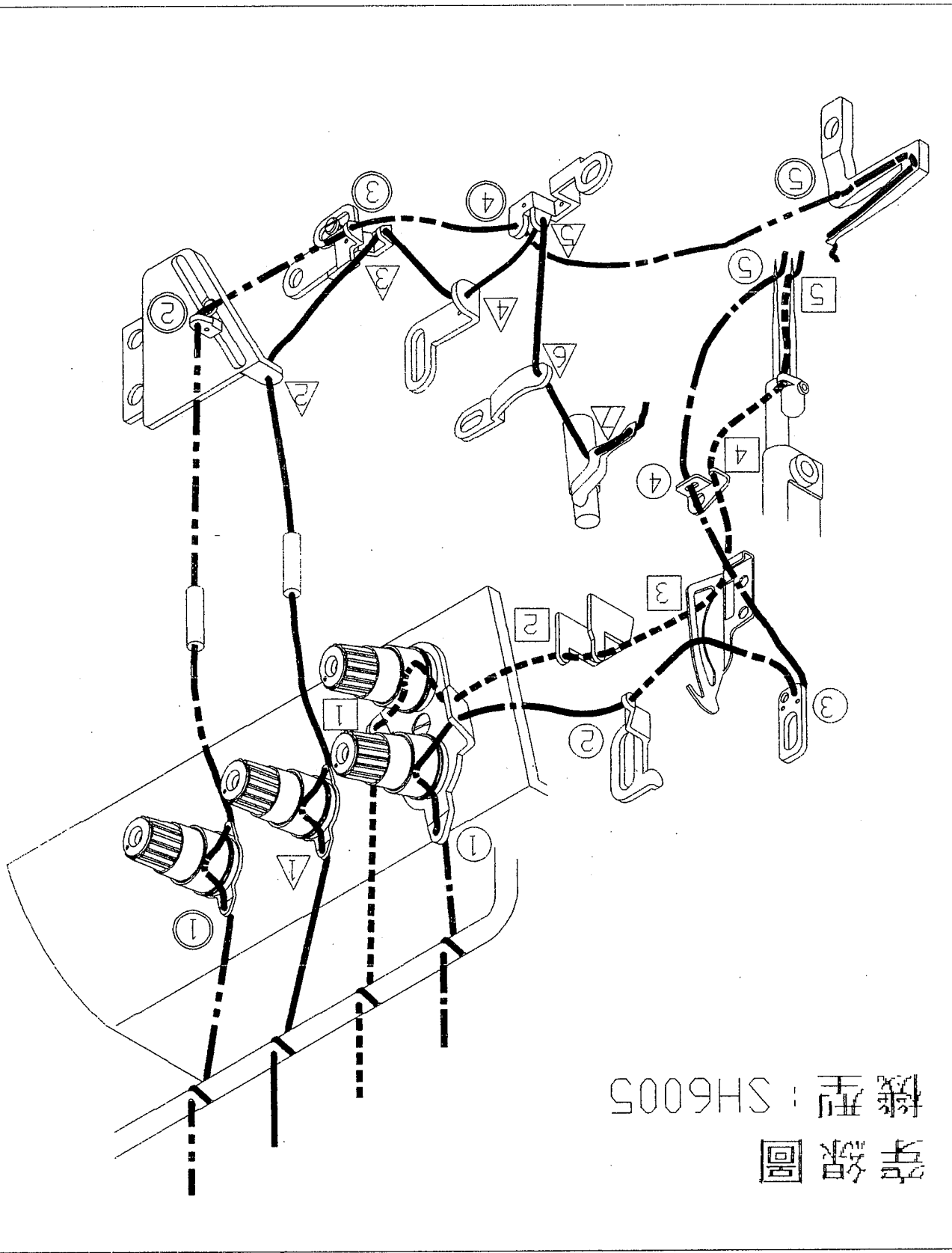
SH6003 型機  
 圖說

# 穿線圖

機型：SH6004







SH6005 機型 : 5009HS  
 圖 說

