

Spare Parts List
Katalog náhradních dílů

Verze 01.2011

GARUDAN®

GARUDAN GPS/G-3020



ANITA B s.r.o.

Hliníky 2068

680 01 Boskovice

Czech Republic

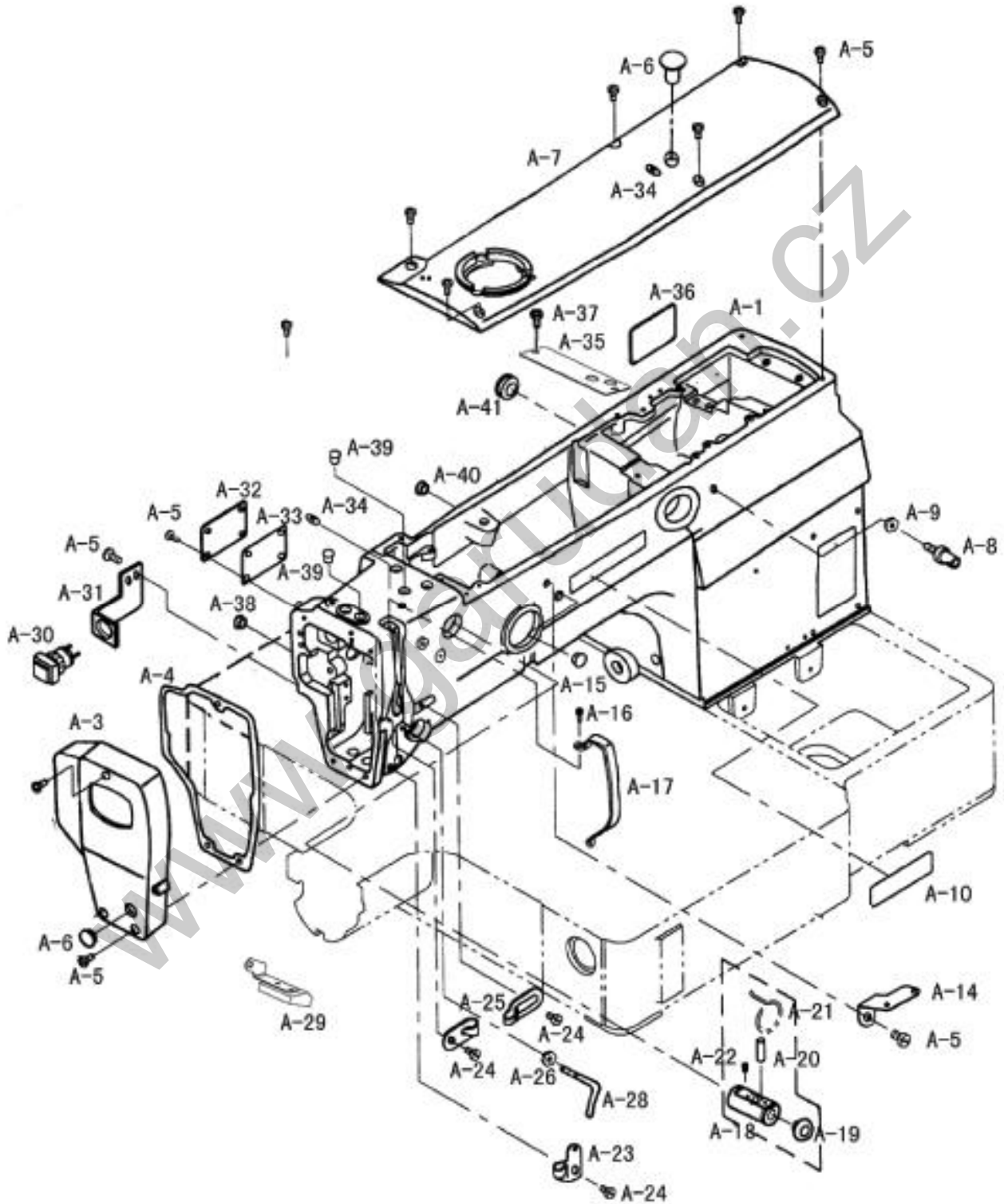
tel: +420 516 454 774,+420 516 453 496

fax: +420 516 452 751

e-mail: info@anita.cz

A**Machine Body****ARM & Machine Body Parts**

Rameno šicího stroje



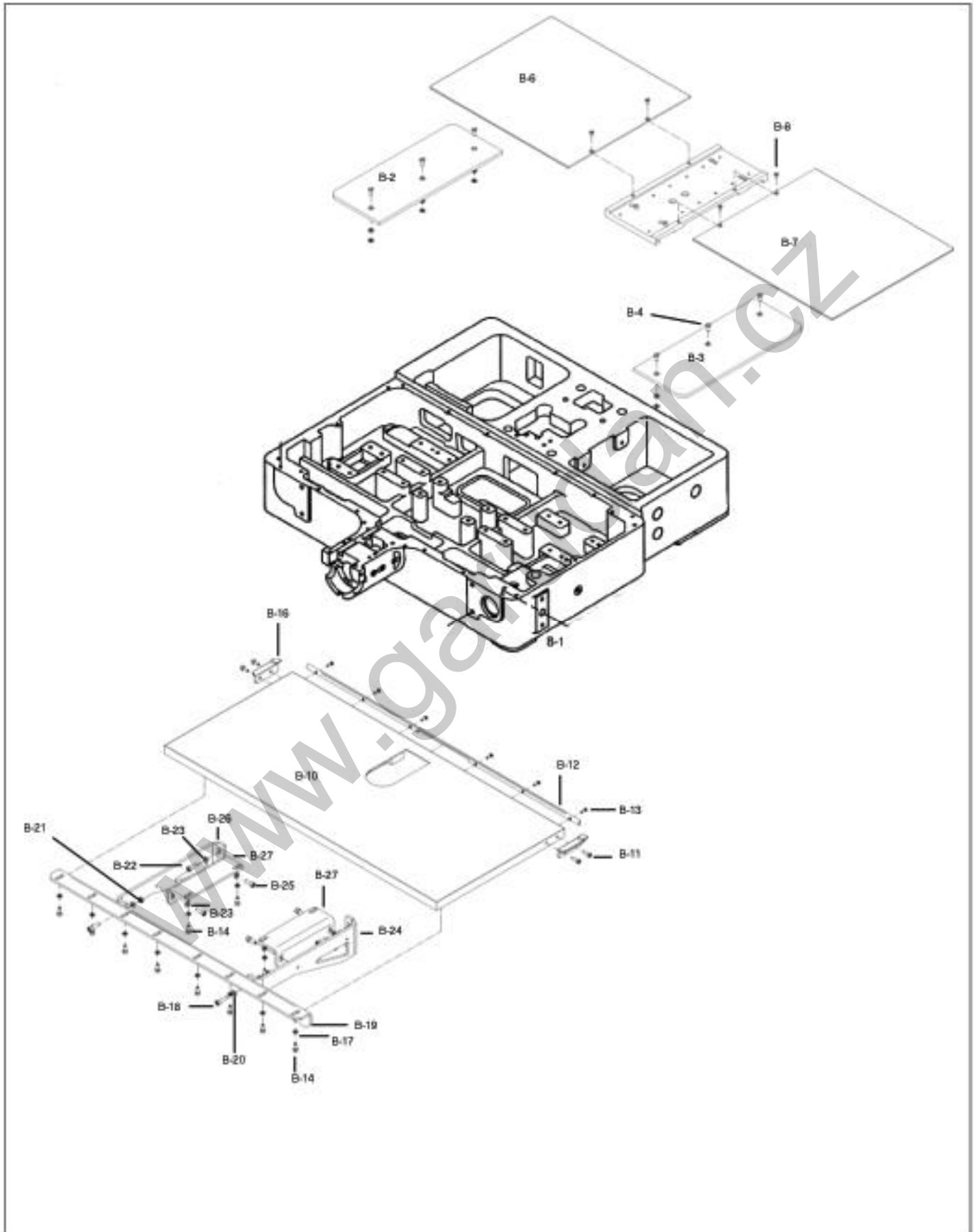
Ref.No	Parts No.	Name of parts	Popis	Qty	Note
A-1	A0103020	Arm	Rameno	1	
A-2	A0201507	Brand Mark (Face plate)	Samolepka GARUDAN (čelní kryt)	1	
A-3	A0301507	Face Plate	Čelní kryt	1	
A-4	A0401507	Face Plate Gasket	Těsnění čelního krytu	1	
A-5	A0501507	Screw	Šroub	15	
A-6	A0601507	Rubber Cap For Face Plate	Ucpávka	3	
A-7	A0703020	Top Cover	Kryt horní	1	
A-8	A1001507	Thread Guide	Vodič nitě	1	
A-9	A1101507	Nut	Matka	1	
A-10	A361507	Brand Mark	Označení stroje	1	
A-14	A1401507	Thread Guide	Vodič nitě	1	
A-15	A1601507	Rubber Cap	Ucpávka	1	
A-16	A1301507	Screw	Šroub	1	
A-17	A1201507	Thread Take Up Cover	Kryt nitové páky	1	
A-18	A2801507	Silicon Tank	Olejová nádobka	1	
A-19	A291507	Silicon Oil Window	Skříčko olejové nádobky	1	
A-20	A3001507	Silicon Felt	Filc	1	
A-21	A3101507	Felt Holder For Silicon Oil Supply	Vodič nitě	1	
A-22	A3201507	Screw	Šroub	1	
A-23	A2601507	Thread Guide	Vodič nitě	1	
A-24	A2501507	Screw	Šroub	3	
A-25	A3301507	Thread Guide	Vodič nitě	2	
A-26	A3401507	Nut	Matka	1	
A-28	A3501507	Arm Thread Guide	Vodič nitě	1	
A-29	A4601507	Exciter Lamp	Osvětlení	1	
A-30	A2301507	STOP Switch	STOP tlačítko	1	
A-31	A2401507	STOP Switch Bracket	Držák STOP tlačítka	1	
A-32	A1901507	Left Cover	Kryt levý	1	
A-33	A2001507	Left Cover Gasket	Těsnění levého krytu	1	
A-34	A1801507	Oil Sticker	Nálepka-mazací místo	2	
A-35	A4201507	Cover Oil	Kryt olejové nádobky	1	
A-36	A3603020	Caution Sticker	Samolepka nebezpečí el. Proudu	1	
A-37	A4301507	Screw	Šroub	2	
A-38	A2101507	Arm Left Part Rubber	Ucpávka	1	
A-39	A1701507	Rubber Cap	Ucpávka	3	
A-40	A1601507	Magnet Cord Rubber	Ucpávka	1	
A-41	A1501507	Rubber Cap	Ucpávka	1	

B

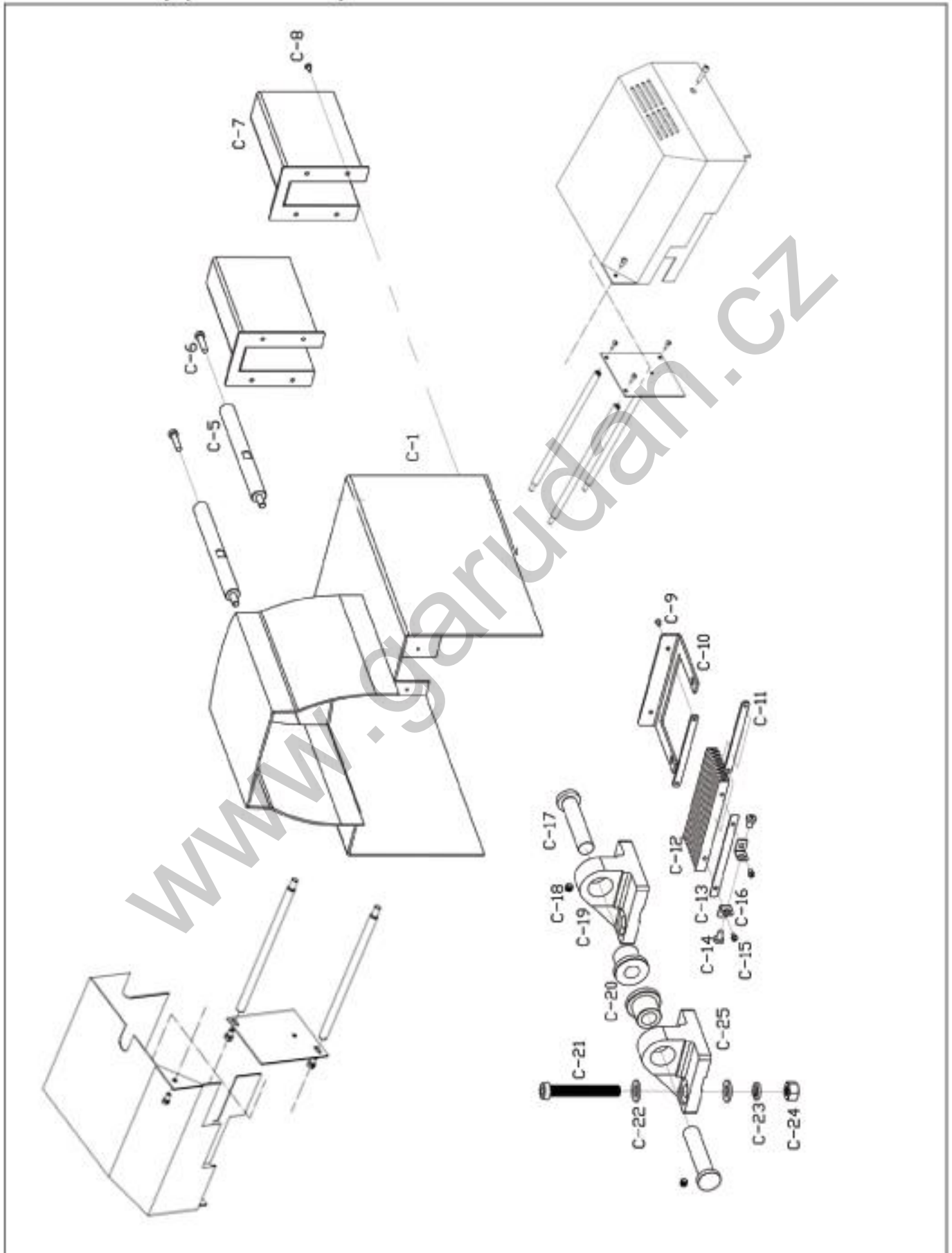
Machine Body

BED & Machine Body Parts

Základová deska šicího stroje a kryty



Ref.No	Parts No.	Name of parts	Popis	Qty	Note
B-1	B0103020	Bed	Deska	1	
B-2	B0203020	Bed Cover (L)	Kryt motoru (L)	1	
B-3	B0303020	Bed Cover (R)	Kryt motoru (R)	1	
B-4	B0403020	Screw	Šroub	6	
B-5	B0503020	Washer	Podložka	12	
B-6	B0603020	X-Moving Cover (L)	Kryt (L)	1	
B-7	B0703020	X-Moving Cover (R)	Kryt (R)	1	
B-8	B0803020	Screw	Šroub	4	
B-9	B0903020	Cover	Kryt	1	
B-10	B1003020	Needle Plate Support Cover	Kryt	1	
B-11	B1103020	Screw	Šroub	4	
B-12	B1203020	Control Guide	Vodící lišta	1	
B-13	B1303020	Screw	Šroub	6	
B-14	B1403020	Screw	Šroub	12	
B-15	B1503020	Guide (R)	Vodič (R)	1	
B-16	B1603020	Guide (L)	Vodič (L)	1	
B-17	B1703020	Washer	Podložka	12	
B-18	B1803020	Screw	Šroub	2	
B-19	B1903020	Bracket	Držák	1	
B-20	B2003020	Washer	Podložka	4	
B-21	B2103020	Nut	Matka	2	
B-22	B2203020	Screw	Šroub	2	
B-23	B2303020	Washer	Podložka	6	
B-24	B2403020	Bracket (R)	Držák (R)	1	
B-25	B2503020	Screw	Šroub	4	
B-26	B2603020	Bracket (L)	Držák (L)	1	
B-27	B2703020	Angle Bracket	Držák	2	
B-28	B2803020	Screw	Šroub	2	
B-22	B2201507	Bed Front Part Rubber Cap	Ucpávka	1	

C**Machine Body miscellaneous Cover & Machine Body Parts**
Kryty šicího stroje

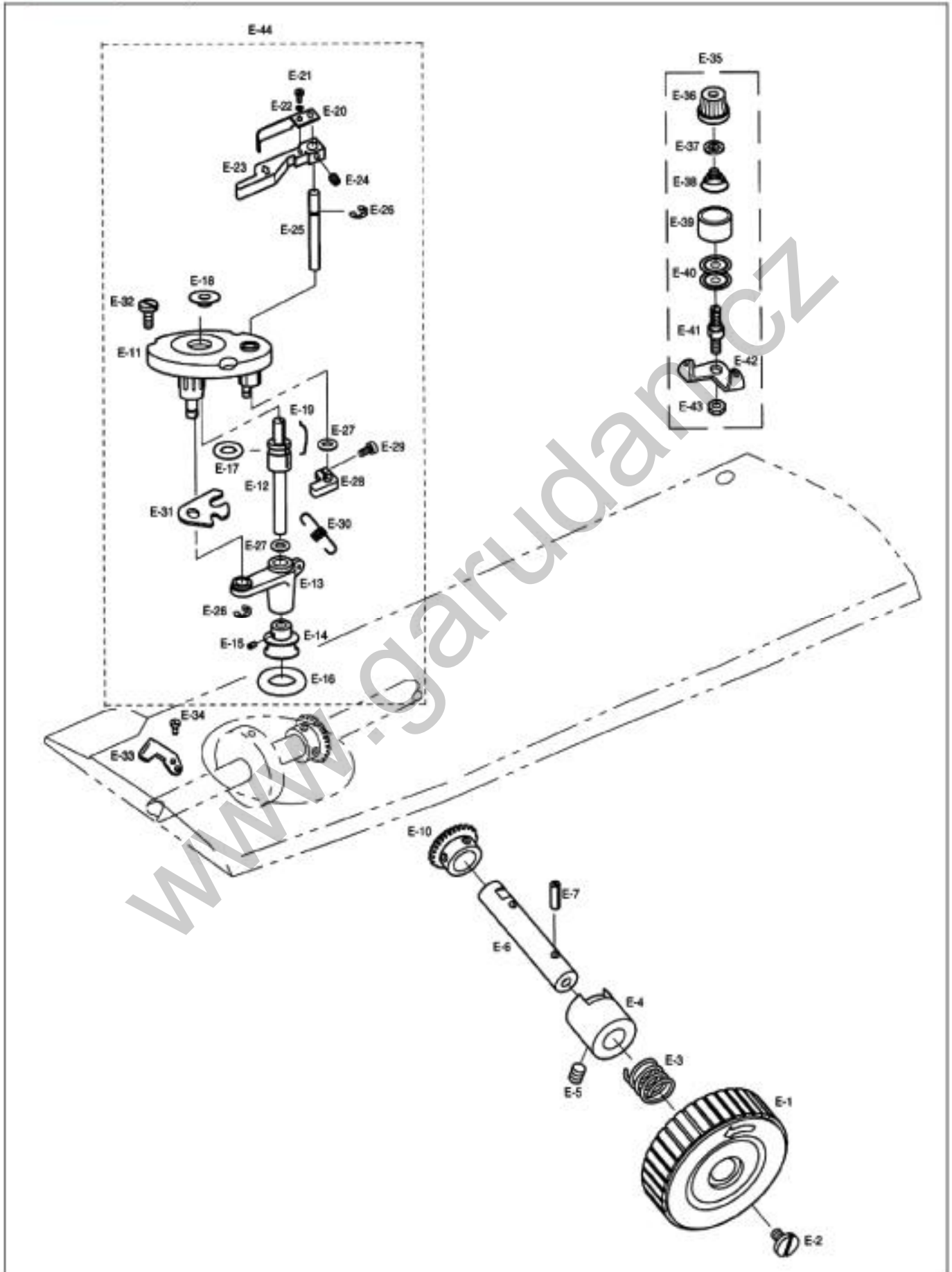
Ref.No	Parts No.	Name of parts	Popis	Qty	Note
C-1	C0103020	Belt Cover	Kryt	1	
C-2	C0203020	Bel Cover (R)	Kryt (R)	1	
C-3	C0303020	Belco Cover (L)	Kryt (L)	1	
C-4	C0403020	Screw	Šroub	2	
C-5	C0503020	Rod	Tyč	2	
C-6	C0603020	Screw M5x15	Šroub M5x15	2	
C-7	C0703020	Holder of Case	Držák	3	
C-8	C0803020	Holder of Case	Držák	2	
C-9	C0903020	Screw M3x5	Šroub M3x5	2	
C-10	C1003020	Bellows Bracket	Držák	1	
C-11	C1103020	Bellows Fixed Plate (R)	Plech	2	
C-12	C1203020	Bellows	Pásek	1	
C-13	C1303020	Bellows Fixed Plate (F)	Plech	1	
C-14	C1403020	Screw	Šroub	2	
C-15	C1503020	Screw M3x5	Šroub M3x5	2	
C-16	C1603020	Bellows Guide Plate	Vodič	2	
C-17	C1703020	Hinge	Kolík	2	
C-18	C1803020	Screw	Šroub	2	
C-19	C1903020	Bed Hinge (R)	Držák	1	
C-20	C2003020	Hinge Rubber	Ucpávka	2	
C-21	C2103020	Screw M10x70	Šroub M10x70	4	
C-22	C2203020	Washer	Podložka	8	
C-23	C2303020	Spring Washer	Podložka	4	
C-24	C2403020	Nut	Matka	4	
C-25	C2503020	Bed Hinge (L)	Držák	1	
C-26	C2603020	Holder of Case (R)	Držák (R)	1	
C-27	C2703020	Holder of Case (L)	Držák (L)	1	
C-28	C2803020	Screw	Šroub	3	
C-29	C2903020	Screw	Šroub	2	
C-30	C3003020	Screw	Šroub	2	

Ref.No	Parts No.	Name of parts	Popis	Qty	Note
D-1	D0101507	Upper Shaft	Horní hřídel	1	
D-2	C0201507	Link Cam	Vačka	1	
D-3	C0301507	Link Cam Washer	Podložka	1	
D-4	C0401507	Screw	Šroub	1	
D-5	C0501507	Screw	Šroub	1	
D-6	C0401507	Screw	Šroub	1	
D-7	C0701507	Tread Take-Up Lever Ass'y	Niťová páka kompletní	1Set	
D-8	C0801507	Thread Take-Up Lever	Niťová páka	1	
D-9	C0901507	Thread Take-Up Lever Crank	Niťová páka	1	
D-10	C1001507	Thread Take-Up Crank Shaft	Čep	1	
D-11	C1101507	Needle Bearing	Ložisko	1	
D-12	C1201507	Screw	Šroub	1	
D-13	C1301507	Needle Bar Crank	Klika	1	
D-14	C1201507	Screw	Šroub	1	
D-15	C1501507	Needle Bearing	Ložisko	1	
D-16	C1601507	Needle Bar Crank Rod	Páka	1	
D-17	C1701507	Screw	Šroub	1	
D-18	C1801507	Needle Bar Holder	Držák jehelní tyče	1	
D-19	C1901507	Screw	Šroub	1	
D-20	C2001507	Needle Bar Guide Block	Vodič jehelní tyče	1	
D-21	C2101507	Needle Bar	Jehelní tyč	1	
D-22	C2201507	Needle Bar Bushing(U)	Pouzdro	1	
D-23	A3201507	Screw	Šroub	5	
D-24	C2401507	Needle Bar Bushing(L)	Pouzdro	1	
D-25	C2501507	Thread Guide For Needle Bar	Vodič nitě	1	
D-27	C2701507	Needle (DP×17#18)	Jehla (DP×17#18)	1	
D-28	C2801507	Upper Shaft Bushing(F)	Pouzdro	1	
D-29	C2901507	Bobbin Winder Driving Wheel	Kolo	1	
D-30	C3001507	Screw	Šroub	2	
D-31	C3101507	Hand Pulley Gear A	Ozubené kolo	1	
D-32	C3201507	Screw	Šroub	2	
D-33	C3301507	Upper Shaft Bushing(M)	Pouzdro	1	
D-34	C3401507	Upper Shaft Collar	Objímka	1	
D-35	C3501507	Screw	Šroub	2	
D-36	C3601507	Crank Blancer	Protizávaží	1	
D-37	C3701507	Fix Plate For Crank Blancer	Objímka protizávaží	1	
D-38	A4301507	Screw	Šroub	2	
D-39	C3901507	Snap Ring	Pojistný kroužek	1	
D-40	C4001507	Upper Shaft Bushing (R)	Pouzdro	1	
D-41	C4101507	Needle Bearing	Ložisko	1	
D-42	C4201507	Thrust Bearing Washer	Podložka	1	
D-43	C4301507	Snap Ring	Pojistný kroužek	1	
D-44	C4401507	Coupling	Spojka	1Set	
D-45	C4501507	Screw	Šroub	2	
D-46	C4601507	Main Motor (750W)	Hlavní motor (750W)	1	
D-47	C4701507	Screw	Šroub	4	
D-48	C4801507	Spring Washer	Pružná podložka	4	
D-49	C4901507	Washer	Podložka	4	
D-50	C5001507	Screw	Šroub jehly	1	
D-51	K4001507	Sensor GPS	Snímač GPS	1	
D-52	C5501507	Holder of sensor	Držák snímače (osa Z)	1	
D-53	C5701507	Collar	Clonka snímače (osa Z)	1	
D-54	C5601507	Screw	Šroub	4	

E

Bobbinet Winder & Hand Pulley Mechanism

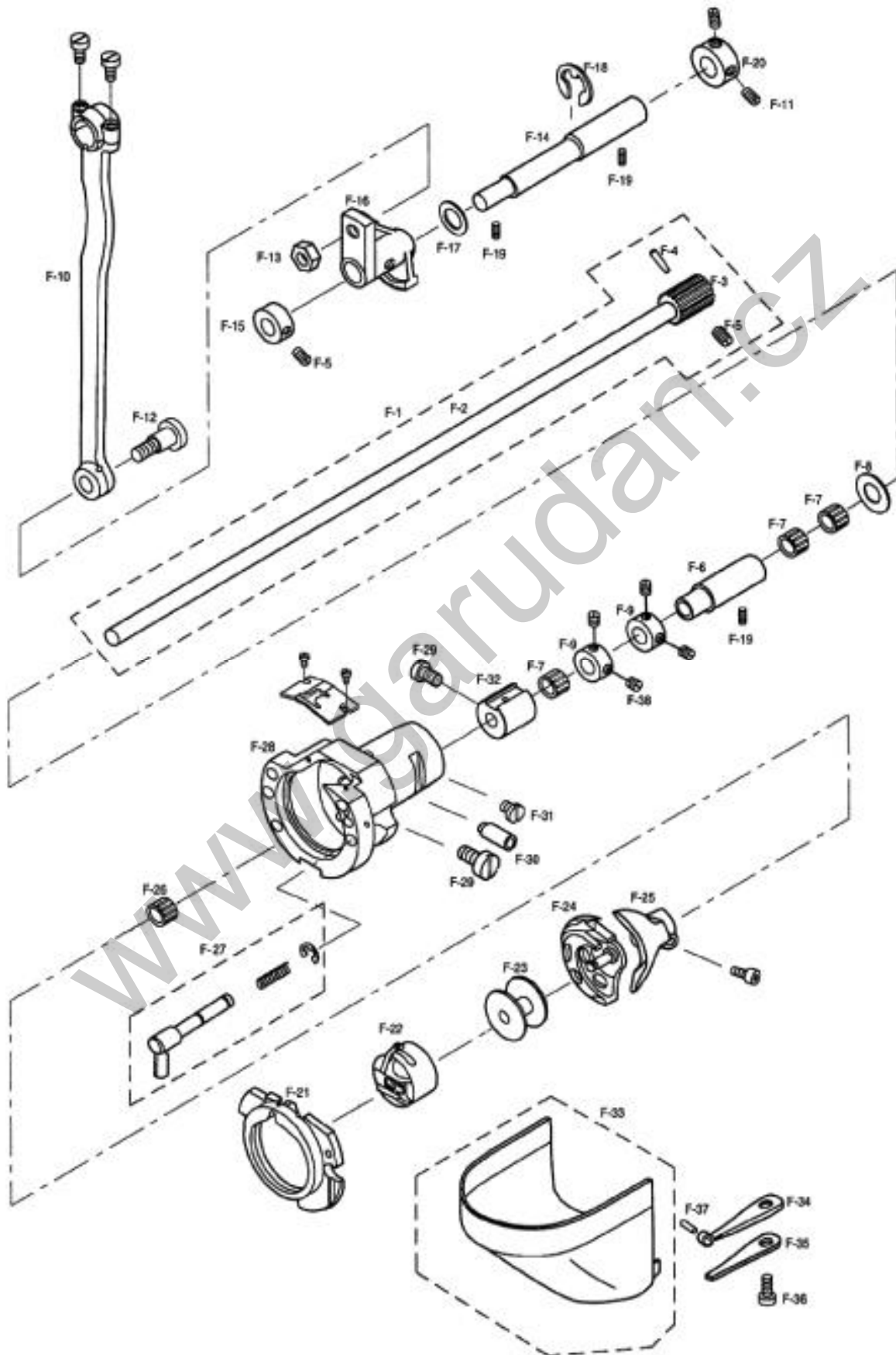
Navijec a mechanismus ručního kola



Ref.No	Parts No.	Name of parts	Popis	Qty	Note
E-1	D0101507	Hand Pulley	Ruční kolo	1	
E-2	D0201507	Screw	Šroub	1	
E-3	D0301507	Hand Pulley Spring	Pružina	1	
E-4	D0401507	Hand Pulley Bushing	Pouzdro	1	
E-6	D0601507	Hand Pulley Shaft	Hřídel ručního kola	1	
E-7	D0701507	Pin	Kolík	1	
E-9	C3201507	Screw	Šroub	2	
E-10	C3101507	Hand Pulley Gear B	Ozubené kolo	1	
E-11	D1101507	Bobbin Winder Base Ass'y	Tělo navíječe	1	
E-12	D1201507	Bobbin Winder Shaft	Hřídel	1	
E-13	D1301507	Bobbin Winder Action Body	Páka	1	
E-14	D1401507	Thread Winder Action Pulley	Řemenice	1	
E-15	D1501507	Screw	Šroub	2	
E-16	D1601507	Thread Winder Action Ring	Kroužek	1	
E-17	D1701507	Bobbin Winder Shaft Rybber Ring	Kroužek	1	
E-18	D1801507	Bobbin Stand	Zátka	1	
E-19	D1901507	Bobbin Stopper	Pružina	1	
E-20	D2001507	Bobbin Winder Adusting Plate	Plech	1	
E-21	D2101507	Screw	Šroub	1	
E-22	D2201507	Washer	Podložka	1	
E-23	D2301507	Bobbin Winder Lever	Páka	1	
E-24	D2401507	Screw	Šroub	1	
E-25	D2501507	Bobbin Winder Lever Shaft	Hřídel	1	
E-26	D2601507	E-Ring	Pojistný kroužek	2	
E-27	D2701507	Washer	Podložka	2	
E-28	D2801507	Thread Winder Adusting Cam	Vačka	1	
E-29	D2901507	Screw	Šroub	1	
E-30	D3001507	Thread Winder Spring	Pružina	1	
E-31	D3101507	Thread Winder Action Plate	Plech	1	
E-32	D3201507	Screw	Šroub	3	
E-33	D3301507	Thread Winder Mes	Nůž	1	
E-34	D3401507	Screw	Šroub	2	
E-35	D3501507	Thread Tension Controler Ass'y	Napínač nitě - kompletní	1Set	
E-36	D3601507	Thread Tension Nut	Matka	1	
E-37	D3701507	Thread Tension Spring Stopper	Podložka	1	
E-38	D3801507	Thread Tension Spring	Pružina	1	
E-39	D3901507	Spring Cover	Kroužek	1	
E-40	D4001507	Thread Tension Disk	Miska napínače	2	
E-41	D4101507	Thread Tension Adusting Shaft	Hřídel napínače	1	
E-42	D4201507	Thread Guide Plate	Plech	1	
E-43	D4301507	Nut	Matka	1	
E-44	D4401507	Bobbin Winder Ass'y	Navíječ cívek kompletní	1	

F

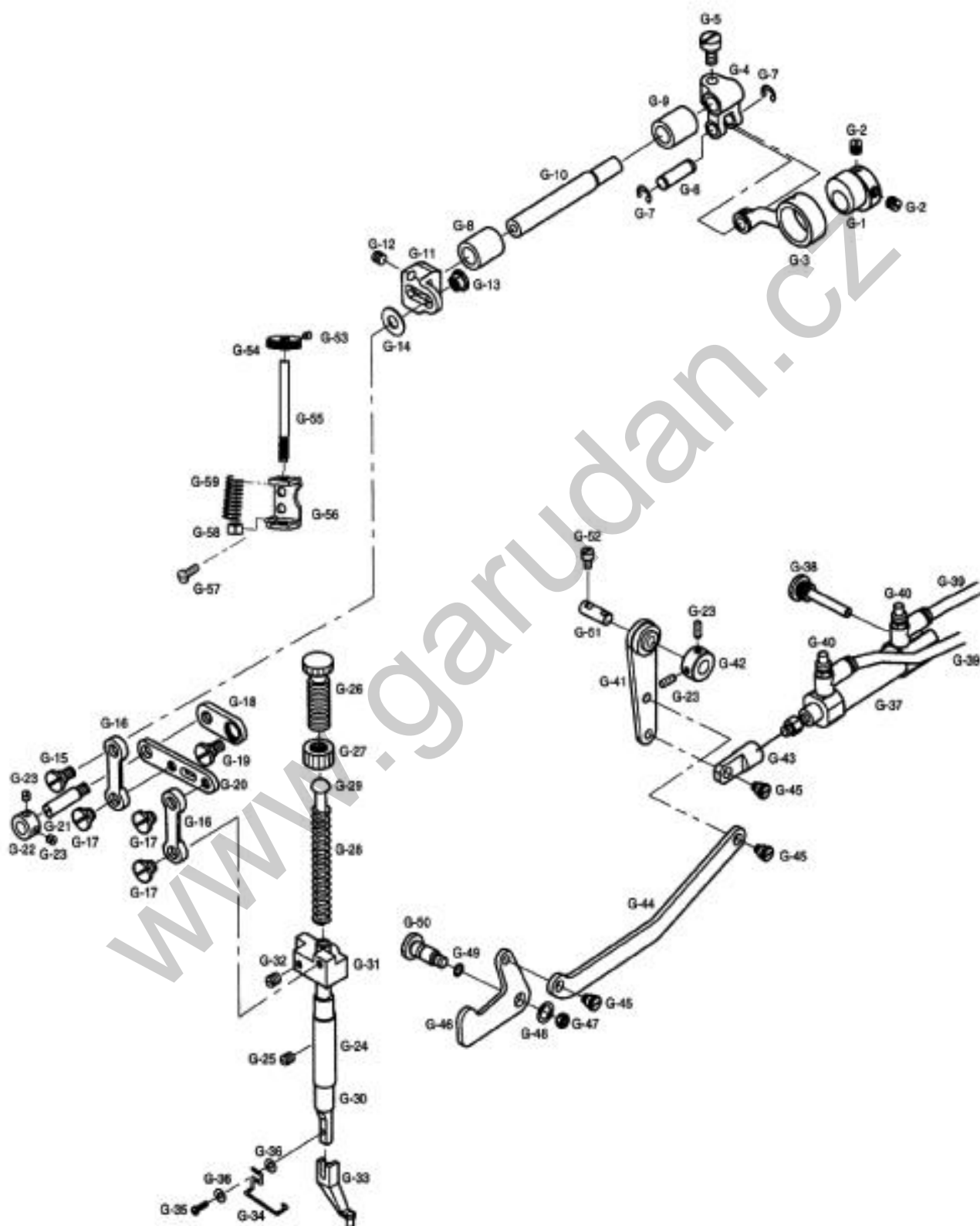
Lower Shaft Mechanism Spodní hřídel a její mechanismy



Ref.No	Parts No.	Name of parts	Popis	Qty	Note
F-1	F0103020	Lower Shaft Ass'y	Spodní křídél kompletní	1	
F-2	F0203020	Lower Shaft	Spodní hřídel	1	
F-3	E0301507	Lower Shaft Gear	Ozubené kolo	1	
F-4	E0401507	Pin	Kolík	1	
F-5	C3201507	Screw	Šroub	3	
F-6	E0601507	Lower Shaft Rear Bushing	Pouzdro	1	
F-7	E0701507	Needle Bearing	Ložisko	2	
F-8	E0801507	Thrust Washer	Podložka	1	
F-9	E0901507	Lower Shaft Collar	Objímka	1	
F-10	E1001507	Crank Rod	Páka	1	
F-11	C3001507	Screw	Šroub	2	
F-12	E1201507	Crank Rod Hinge Screw	Šroub	1	
F-13	E1301507	Nut	Matka	1	
F-14	E1401507	Oscillator Shaft	Hřídel	1	
F-14-1	E1411507	Ring	Kroužek	1	
F-15	E1501507	Oscillator Shaft Collar(L)	Objímka	1	
F-16	E1601507	Oscillator Shaft Gear	Pohaněč	1	
F-17	E1701507	Washer	Podložka	1	
F-18	E1801507	E-Ring	Pojistný kroužek	1	
F-19	C1201507	Screw	Šroub	3	
F-20	E2001507	Oscillator Shaft Collar(R)	Objímka	1	
F-21	E2101507	Shuttle Race Ring (H)	Kroužek chapače (H)	1	model H
	E2111507	Shuttle Race Ring (G)	Kroužek chapače (G)	1	model G
F-22	E2201507	Bobbin Case Ass'y (H)	Pouzdro cívky (H)	1	model H
	E2211507	Bobbin Case Ass'y (G)	Pouzdro cívky (G)	1	model G
F-23	E2301507	Bobbin (H)	Cívka (H)	1	model H
	E2311507	Bobbin (G)	Cívka (G)	1	model G
F-24	E2401507	Shuttle (H)	Chapač (H)	1	model H
	E2411507	Shuttle (G)	Chapač (G)	1	model G
F-25	E2501507	Shuttle Driver (H)	Pohaněč chapače (H)	1	model H
	E2511507	Shuttle Driver (G)	Pohaněč chapače (G)	1	model G
F-26	E2701507	Needle Roll Bearing	Ložisko	1	
F-27	E3201507	Inner Hook Presser Shaft Ass'y	Páka - kompletní	2	
F-28	E2601507	Shuttle (H)	Chapačová dráha (H)	1	model H
	E2611507	Shuttle (G)	Chapačová dráha (G)	1	model G
F-29	E2901507	Screw	Šroub	1	
F-30	E3001507	Shuttle Race Adjusting Shaft	Hřídel	1	
F-31	E3101507	Screw	Šroub	1	
F-32	F3203020	Middle Bushing for Lower Shaft	Pouzdro	1	
F-33	E3301507	Hook Cover Ass'y	Kryt chapače	1Set	
F-34	E3701507	Hook Cover Plate Spring A	Pružina	1	
F-35	E3601507	Hook Cover Plate Spring B	Pružina	1	
F-36	B3201507	Screw	Šroub	1	
F-37	E3401507	Spring Pin	Kolík	1	

G

Presser Foot Mechanism Mechanismus zdvihu patky

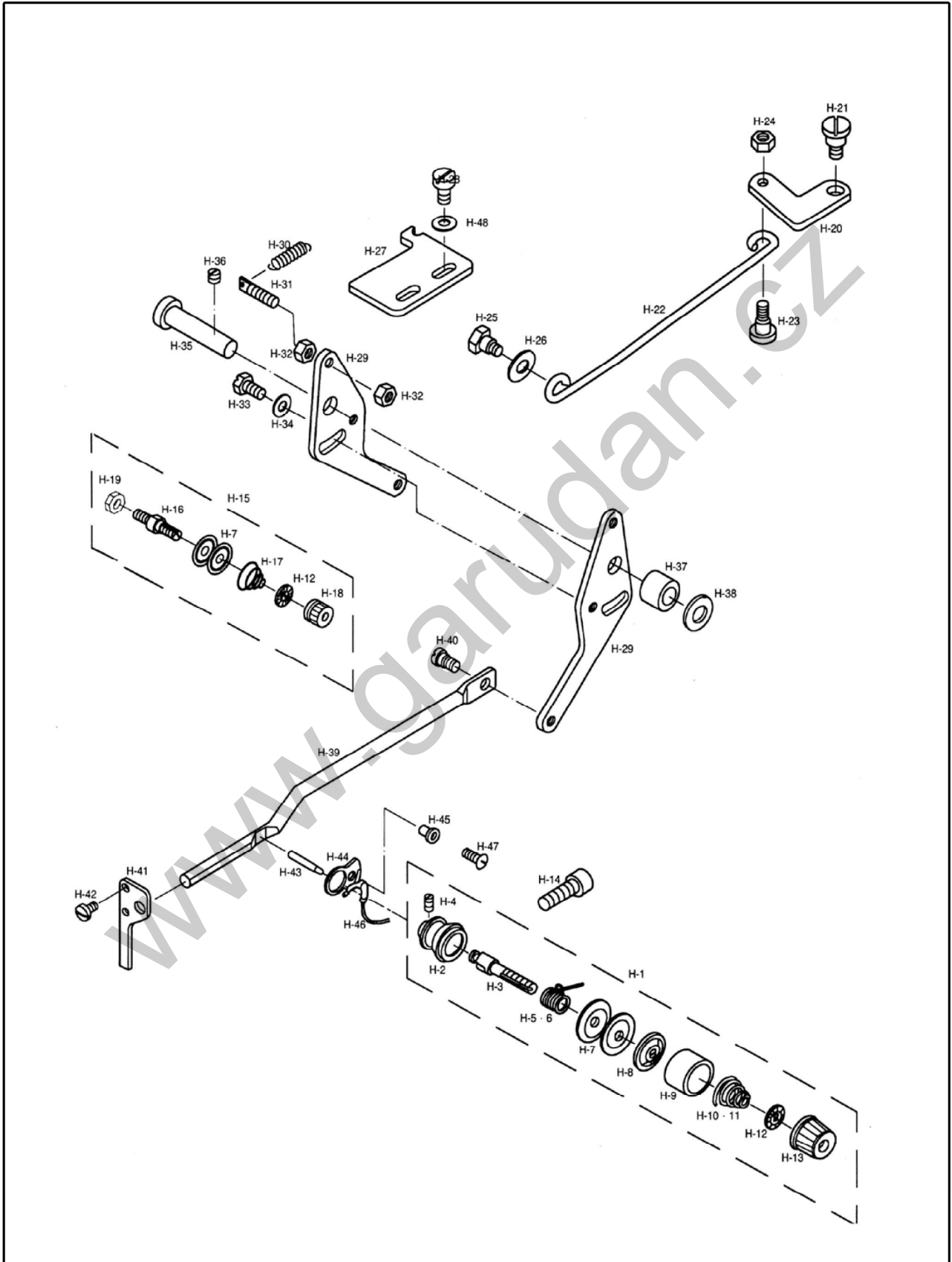


Ref.No	Parts No.	Name of parts	Popis	Qty	Note
G-1	F3201507	Presser Cam	Vačka	1	
G-2	F3301507	Screw	Šroub	2	
G-3	F3401507	Presser Cam Connection Rod	Tyč	1	
G-4	F3501507	Presser Fork Crank	Klika	1	
G-5	C0401507	Screw	Šroub	1	
G-6	F3701507	Presser Cam Connection Rod Pin	Kolík	1	
G-7	F3801507	E-Ring	Pojistný kroužek	2	
G-8	F3901507	Presser Shaft Bushing A	Pouzdro	1	
G-9	F4001507	Presser Shaft Bushing B	Pouzdro	1	
G-10	F4101507	Presser Shaft	Hřídel	1	
G-11	F4201507	Presser Adjusting Arm	Klika	1	
G-12	C1201507	Screw	Šroub	1	
G-13	F4401507	Presser Adjusting Arm Nut	Matka	1	
G-14	F7101507	Washer	Podložka	1	
G-15	F4501507	Presser Adjusting Arm Hinge Screw	Šroub	1	
G-16	F4601507	Presser Link	Páka	2	
G-17	F4701507	Presser Link Hinge Screw	Šroub	3	
G-18	F5101507	Position Link	Páka	1	
G-19	F5201507	Position Link Hinge Screw	Šroub	1	
G-20	F4801507	Presser Driving Link	Páka	1	
G-21	F4901507	Presser Driving Link Hinge Screw	Šroub	1	
G-22	F5001507	Presser Driving Link Collar	Kroužek	1	
G-23	C3201507	Screw	Šroub	4	
G-24	F5901507	Presser Bar Bushing	Pouzdro	1	
G-25	A3201507	Screw	Šroub	1	
G-26	F5301507	Presser Adjusting Screw	Šroub	1	
G-27	F5401507	Nut	Matka	1	
G-28	F5601507	Presser Adjusting Spring	Pružina	1	
G-29	F5501507	Presser Adjusting Bar	Tyč	1	
G-30	F5701507	Presser Bar	Patní tyč	1	
G-31	F5801507	Presser Bar Holder	Držák	1	
G-32	F0301507	Screw	Šroub	1	
G-33	F6101507	Presser Foot (hole 2,2mm)	Patka (otvor 2,2m)	1	
G-34	F6201507	Finger Guard	Vodič	1	
G-35	G3503020	Screw	Šroub	1	
G-36	GJ603020	Washer	Podložka	1	
G-37	G3703020	Presser Foot Cylinder	Válec	1	
G-38	G3803020	Presser Foot Cylinder Hinge Stud	Kolík	1	
G-39	G3903020	Hose (4)	Hadice (průměr 4)	1	
G-40	G4003020	Speed Controller	Regulátor	2	
G-41	G4103020	Presser Foot Cylinder Connecting Link	Táhlo	1	
G-42	G4203020	Presser Foot Cylinder Connecting Link Coller	Kroužek	1	
G-43	G4303020	Presser Foot Cylinder Knuckle	Kloub	1	
G-44	G4403020	Presser Foot Connecting Rod	Táhlo	1	
G-45	G4503020	Presser Link Stud	Šroub	3	
G-46	G4603020	Presser Foot Lift Link	Páka	1	
G-47	G4703020	Nut	Matka	1	
G-48	H2601507	Washer	Podložka	1	
G-49	G4903020	O-Ring	O-kroužek	1	
G-50	G5003020	Presser Foot Lift Link Stud	Kolík	1	
G-51	G5103020	Presser Bar Lifter Connecting Shaft	Kolík	1	
G-52	G5203020	Screw	Šroub	1	
G-53	F6401507	Screw	Šroub	1	
G-54	F6501507	Nut	Matka	1	
G-55	F6601507	Rod	Tyč	1	
G-56	F6701507	Position Link Stopper Bracket	Držák	1	
G-57	A4301507	Screw	Šroub	2	
G-58	F6901507	Nut	Matka	1	
G-59	F7001507	Position Link Stopper Spring	Pružina	1	



Thread release & Thread tension mechanism

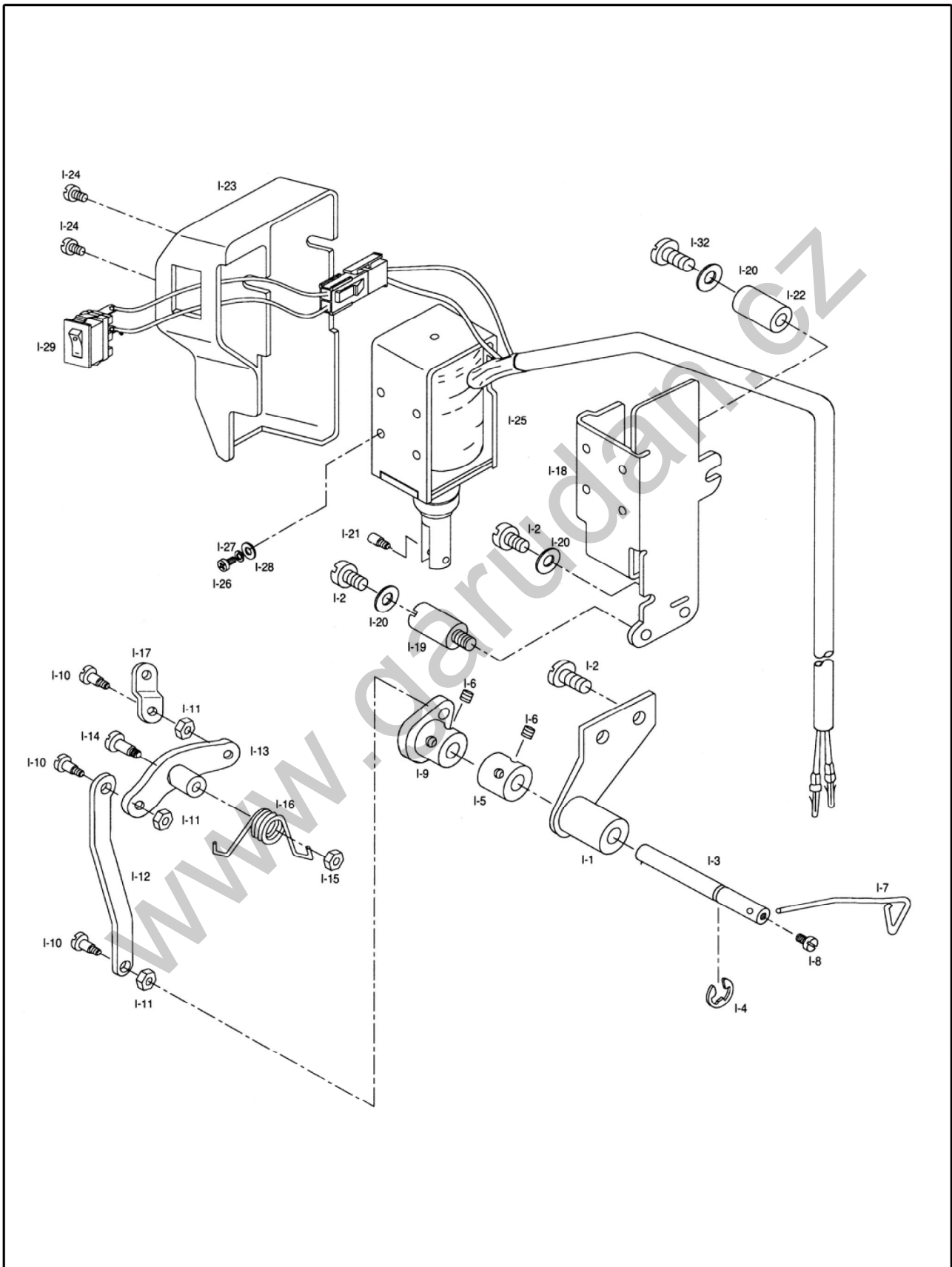
Mechnismy napínačů nitě



Ref.No	Parts No.	Name of parts	Popis	Qty	Note
H-1	H0101507	Thread Tension Adjusting Ass'y	Napínač nitě -kompletní	1Set	
H-2	H0201507	Thread Tension Adjusting Body	Kroužek	1	
H-3	H0301507	Thread Tension Adjusting Shaft	Hřídel	1	
H-4	H0401507	Screw	Šroub	2	
H-5	H0501507	Thread Take-Up Spring (H)	Pružina	1	
H-7	H0701507	Thread Guide Disk	Miska napínače	4	
H-8	H0801507	Presser Plate	Disk	1	
H-9	H0901507	Spring Cover	Pružina	1	
H-10	H1001507	Thread Tension Adjusting Spring (H)	Pružina	1	
H-12	H1201507	Spring Stopper	Kolík	2	
H-13	H1301507	Thread Adjusting Nut	Matka	1	
H-14	C4701507	Screw	Šroub	1	
H-15	H1501507	Second Thread Tension Adjusting Ass'y	Napínač nitě -kompletní	1Set	
H-16	H1601507	Second Thread Tension Adjusting Shaft	Hřídel	1	
H-17	H1701507	Second Thread Tension Adjusting Spring	Pružina	1	
H-18	H1801507	Second Thread Adjusting Nut	Matka	1	
H-19	H1901507	Nut	Matka	1	
H-20	H2001507	Thread Release Link	Plech	1	
H-21	G0701507	Thread Release Link Hinge Screw	Šroub	1	
H-22	H2201507	Thread Release Connecting Rod	Táhlo	1	
H-23	H2301507	Hinge Screw A	Šroub	1	
H-24	G4601507	Nut	Matka	1	
H-25	H250157	Hinge Screw B	Šroub	1	
H-26	H2601507	Washer	Podložka	1	
H-27	H2701507	Thread Release Stopper	Plech	1	
H-28	A4301507	Screw	Šroub	2	
H-29	H2901507	Thread Release Adjusting Plate	Plech	2	
H-30	H3001507	Thread Release Return Spring	Pružina	1	
H-31	H3101507	Spring Hook Screw	Šroub	1	
H-32	H3201507	Nut	Matka	2	
H-33	H3301507	Screw	Šroub	1	
H-34	B3301507	Washer	Podložka	1	
H-35	H3501507	Thread Release Shaft	Čep	1	
H-36	A3201507	Screw	Šroub	1	
H-37	H3701507	Thread Release Shaft Collar	Kroužek	1	
H-38	H3801507	Washer	Podložka	1	
H-39	H3903020	Thread Release Action Bar	Táhlo	1	
H-40	H4001507	Hinge Screw	Šroub	1	
H-41	H4101507	Thread Release Action Bar Guide	Plech	1	
H-42	H4201507	Screw	Šroub	2	
H-43	H4301507	Thread Release Pin	Kolík	1	
H-44	H4401507	Thread Detecting Plate Guide	Kroužek	1	
H-45	H4501507	Thread Detecting Plate Ring	Plastový kroužek	1	
H-46	H4601507	Thread Detecting Plate	Plech detekční	1	
H-47	A1301507	Screw	Šroub	1	

Wiper mechanism

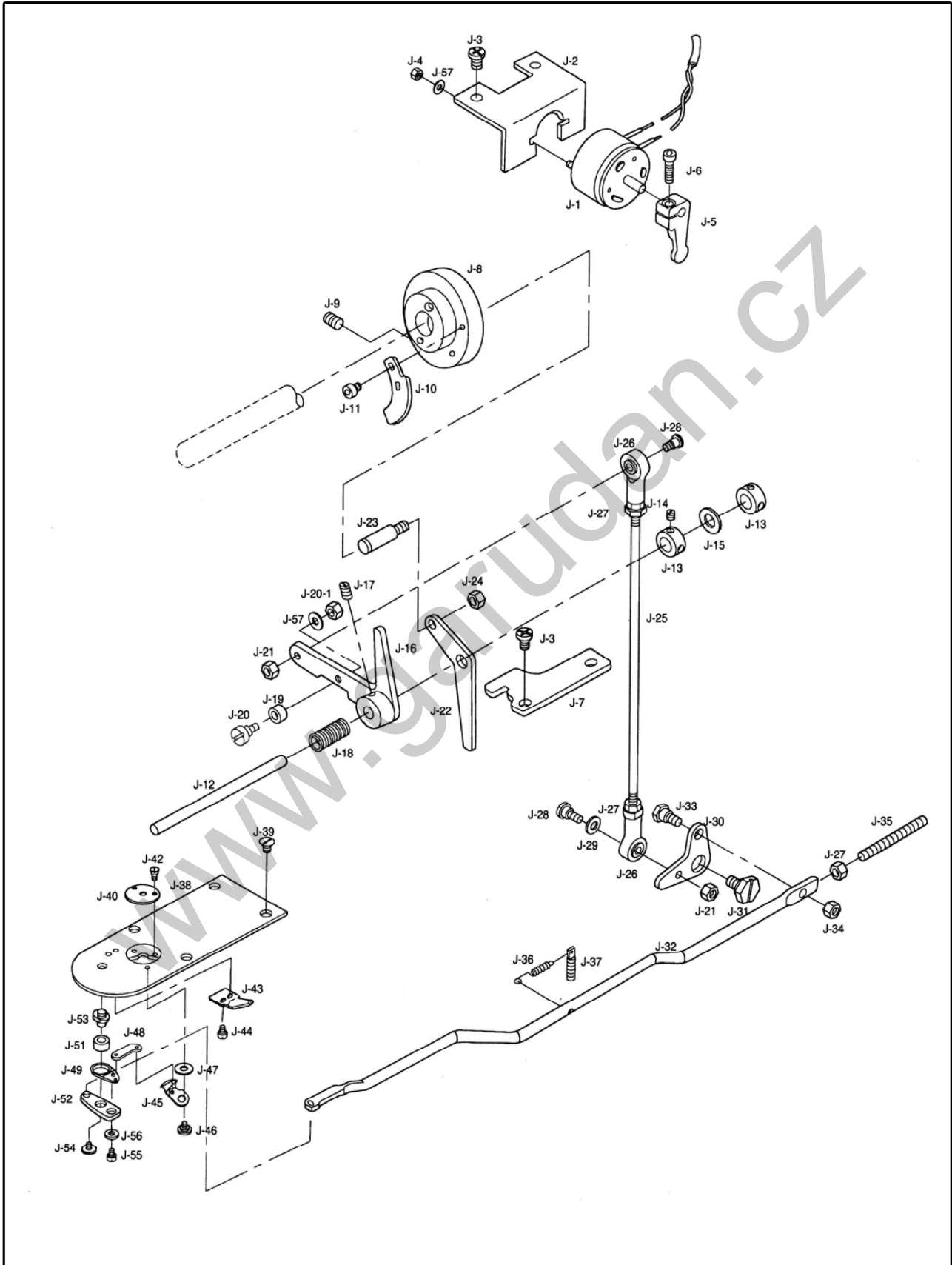
Mechanismus odhazovače nitě



Ref.No	Parts No.	Name of parts	Popis	Qty	Note
I-1	I0101507	Wiper Bracket Ass'y	Plech	1Set	
I-2	A0501507	Screw	Šroub	4	
I-3	I0301507	Wiper Rotation Shaft	Hřídel	1	
I-4	F3801507	E-Ring	Pojistný kroužek	1	
I-5	I0501507	Wiper Rotation Shaft Collar	Kroužek	1	
I-6	I0601507	Screw	Šroub	4	
I-7	I0701507	Wiper	Odhazovač nitě	1	
I-8	I0801507	Screw	Šroub	1	
I-9	I0901507	Wiper Crank Ass'y	Kroužek	1Set	
I-10	I1001507	Hinge Screw	Šroub	3	
I-11	H3201507	Nut	Matka	3	
I-12	I1201507	Wiper Rod	Páka	1	
I-13	I1301507	Wiper Rock Link Ass'y	Páka	1	
I-14	I1401507	Hinge Screw	Šroub	1	
I-15	F1901507	Nut	Matka	1	
I-16	I1601507	Wiper Spring	Pružina	1	
I-17	I1701507	Wiper Solenoid Connecting Link	Plech	1	
I-18	I1801507	Wiper Base	Držák	1	
I-19	I1901507	Wiper Base Joint	Šroub	1	
I-20	C4901507	Washer	Podložka	3	
I-21	I2101507	Screw	Šroub	1	
I-22	I2201507	Wiper Base Collar	Kroužek	1	
I-23	I2301507	Wiper Cover	Kryt	1	
I-24	I0801507	Screw	Šroub	2	
I-25	I2501507	Wiper Solenoid Ass'y	Elektromagnet	1Set	
I-26	I2601507	Screw	Šroub	4	
I-27	I2701507	Washer	Podložka	4	
I-28	I2801507	Spring washer	Pružná podložka	4	
I-29	I2901507	Wiper On/Off Switch Ass'y	Vypínač	1	
I-32	I3201507	Screw	Šroub	1	
I-33	E1801507	E-Ring	Pojistný kroužek	1	

J

Thread trimming mechanism Mechanismus odstřihu nitě

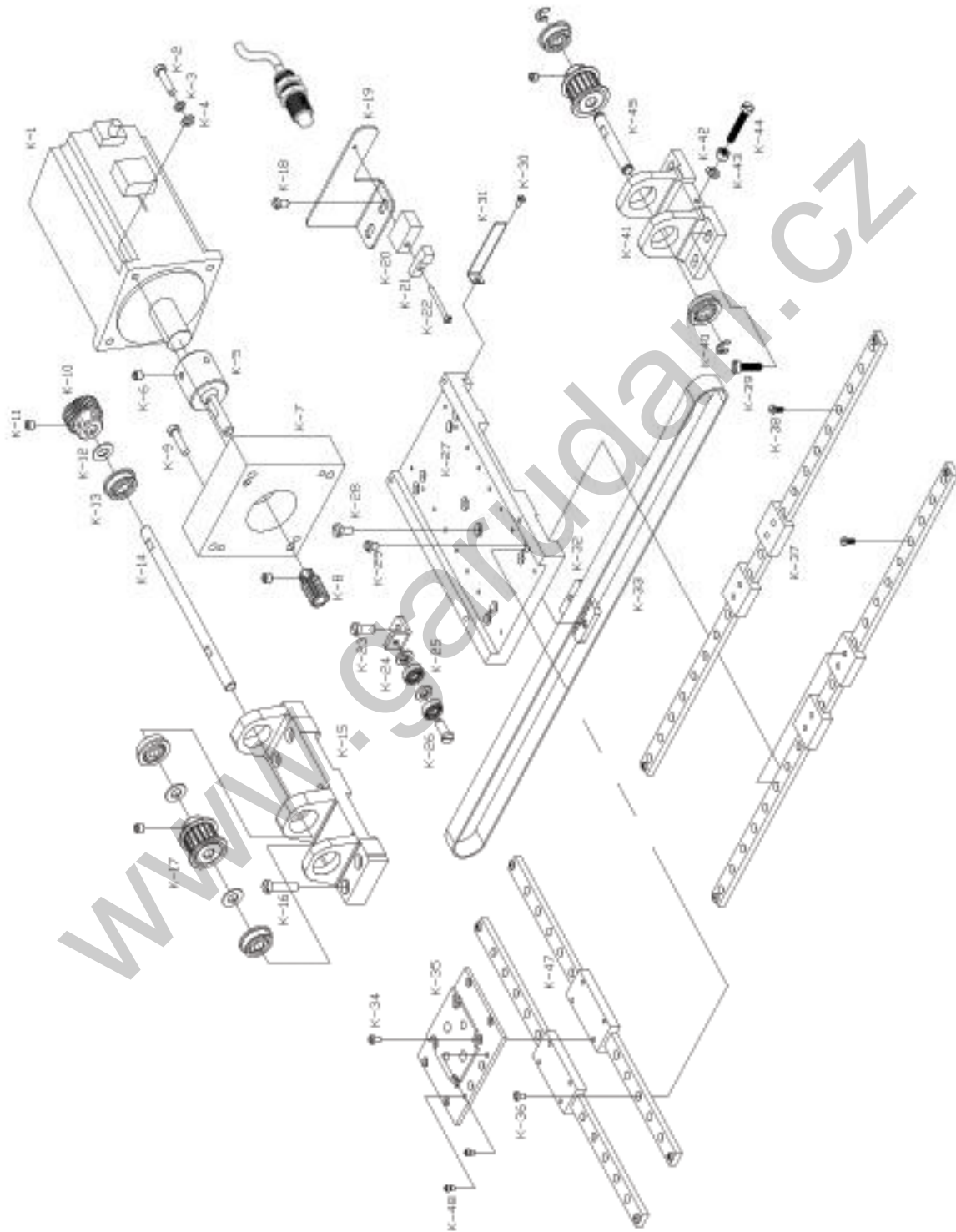


Ref.No	Parts No.	Name of parts	Popis	Qty	Note
J-1	J0101507	Thread Trimming Solenoid Ass'y	Elektromagnet	1Set	
J-2	J0201507	Thread Trimming Solenoid Bracket	Držák elektromagnetu	1	
J-3	A4301507	Screw	Šroub	4	
J-3-1	B3501507	Washer	Podložka	4	
J-4	J0401507	Nut	Matka	2	
J-5	J0501507	Rotating Link	Páka	1	
J-6	A4101507	Screw	Šroub	1	
J-7	J0701507	Thread Trimming Driving Link Stopper	Plech	1	
J-8	J0801507	Thread Trimming Cam	Vačka	1	
J-9	C3501507	Screw	Šroub	2	
J-10	J1001507	Thread Release Notch	Plech	1	
J-11	J1101507	Screw	Šroub	2	
J-12	J1201507	Thread Trimming Shaft	Hřídel	1	
J-13	J1301507	Thread Trimming Shaft Collar	Kroužek	2	
J-14	C3001507	Screw	Šroub	2	
J-15	J1501507	Rubber Washer	Podložka	1	
J-16	J1601507	Thread Trimming Driving Link Ass'y	Páka	1Set	
J-17	J1701507	Screw	Šroub	1	
J-18	J1801507	Spring	Pružina	1	
J-19	J1901507	Thread Trimming Cam Roller	Kroužek	1	
J-20	J2001507	Hinge Screw	Šroub	1	
J-20-1	F1901507	Nut	Matka	1	
J-21	H3201507	Nut	Matka	2	
J-22	J2201507	Thread Release Lever	Páka	1	
J-23	J2301507	Thread Release Lever Pin	Kolík	1	
J-24	J2401507	Nut	Matka	1	
J-25	J2501507	Thread Trimming Connecting Rod	Táhlo	1	
J-26	J2601507	Rod End (R)	Kloub	2	
J-27	J2701507	Nut	Matka	4	
J-28	J2801507	Hinge Screw	Šroub	2	
J-29	J2901507	Washer	Podložka	1	
J-30	J3001507	Thread Trimming Connecting Link	Plech	1	
J-31	J3101507	Hinge Screw	Šroub	1	
J-32	J3203020	Thread Trimming Connecting Bar	Táhlo	1	
J-33	J3301507	Hinge Screw	Šroub	1	
J-34	J3401507	Nut	Matka	1	
J-35	J3501507	Link Stopper Screw	Šroub	1	
J-36	J3601507	Spring	Pružina	1	
J-37	H3101507	Spring Hooker	Šroub	1	
J37-1	H3201507	Nut	Matka	1	
J-38	J3803020	Needle Plate	Stehová deska	1	
J-39	J3901507	Screw	Šroub	4	
J-40	J4001507	Needle Plate Cover	Vložka stehové desky	1	
J-42	J4201507	Screw	Šroub	2	
J-43	J4301507	Fixed Mes	Pevný nůž	1	
J-44	J4401507	Screw	Šroub	2	
J-45	J4501507	Moving Mes	Pohyblivý nůž	1	
J-46	J4601507	Hinge Screw For Moving Mes	Šroub	1	
J-47	J4701507	Washer	Podložka	1	
J-48	J4801507	Moving Mes Link	Páka	1	
J-49	J4901507	Thread Trimming Lever"B" (H)	Páka	1	
J-51	J5101507	Thread Trimming Lever Ring	Kroužek	1	
J-52	J5201507	Thread Trimming Lever"A"	Páka	1	
J-53	J5301507	Thread Trimming Lever Shaft	Čep	1	
J-54	J5401507	Thread Trimming Lever Screw	Šroub	1	
J-55	J5501507	Screw	Šroub	1	
J-56	J5601507	Washer	Podložka	1	
J-57	J5601507	Washer	Podložka	3	

K

X-Moving Mechanism

Mechanismus osy X



Ref.No	Parts No.	Name of parts	Popis	Qty	Note
K-1	K0103020	X-Driving Motor Ass'y	Motor osy X	1	
K-2	C4901507	Washer	Podložka	4	
K-3	K0303020	Nut	Matka	4	
K-4	K0403020	Washer	Podložka	4	
K-5	K0503020	Collar	Kroužek	2	
K-6	C4501507	Screw	Šroub	2	
K-7	K0703020	Plate for motor X	Příruba pro motor osy X	1	
K-8	K0803020	X-Drive Gear A	Ozubené kolo	1	
K-9	K0903020	Pin	Kolík	4	
K-10	K1003020	X-Drive Gaer B	Ozubené kolo	1	
K-11	C1201507	Screw	Šroub	4	
K-12	K1203020	Washer	Podložka	3	
K-13	K1303020	Bearing	Ložisko	5	
K-14	K1403020	Rod	Tyč	1	
K-15	K1503020	Bracket	Držák	1	
K-16	K1603020	Screw	Šroub	6	
K-17	K0901507	X-Drive Trimming Pulley	Ozubené kolo	2	
K-18	K1803020	Screw	Šroub	2	
K-19	K1903020	Bracket	Držák	1	
K-20	K2003020	Block	Kostka	1	
K-21	K2103020	Block	Kostka	1	
K-22	K2203020	Screw	Šroub	1	
K-23	K2303020	Screw	Šroub	1	
K-24	K2403020	Washer	Podložka	1	
K-25	K2503020	Bearing	Ložisko	2	
K-26	K2603020	Screw	Šroub	1	
K-27	K2703020	X Race Table	Základna osy X	1	
K-28	K2803020	Screw	Šroub	2	
K-29	K2903020	Screw	Šroub	8	
K-30	K3401507	Screw	Šroub	8	
K-31	K3103020	Bracket	Držák	1	
K-32	K2101507	X-Belt Holder Plate	Držák	1	
K-33	K3303020	X-Trimming Belt (94cm)	Řemen (94cm)	1	
K-34	K3401507	Screw	Šroub	8	
K-35	K3503020	Y Race Table	Základna osy Y	1	
K-36	K3603020	Screw	Šroub	18	
K-37	K3703020	X Ball Gauge Ass'y	Lineární ložisko osy X	2	
K-38	K3703020	Screw	Šroub	22	
K-39	K3903020	Screw	Šroub	4	
K-40	K4003020	Clamp	Spona	2	
K-41	K4103020	Bracket	Držák	1	
K-42	K4203020	Washer	Podložka	1	
K-43	K4303020	Nut	Matka	1	
K-44	K4403020	Screw	Šroub	1	
K-45	K4503020	X-Driving Shaft	Hřídel	1	
K-46	K4603020	X-Idler Bracket	Držák	1	
K-47	K4703020	Y Ball Gauge Ass'y	Lineární ložisko osy Y	2	
K-48	K4803020	Pin	Kolík	2	
K-49	K4903020	Screw	Kolík	4	
K-50	K4001507	Sensor GPS	Kolík	1	

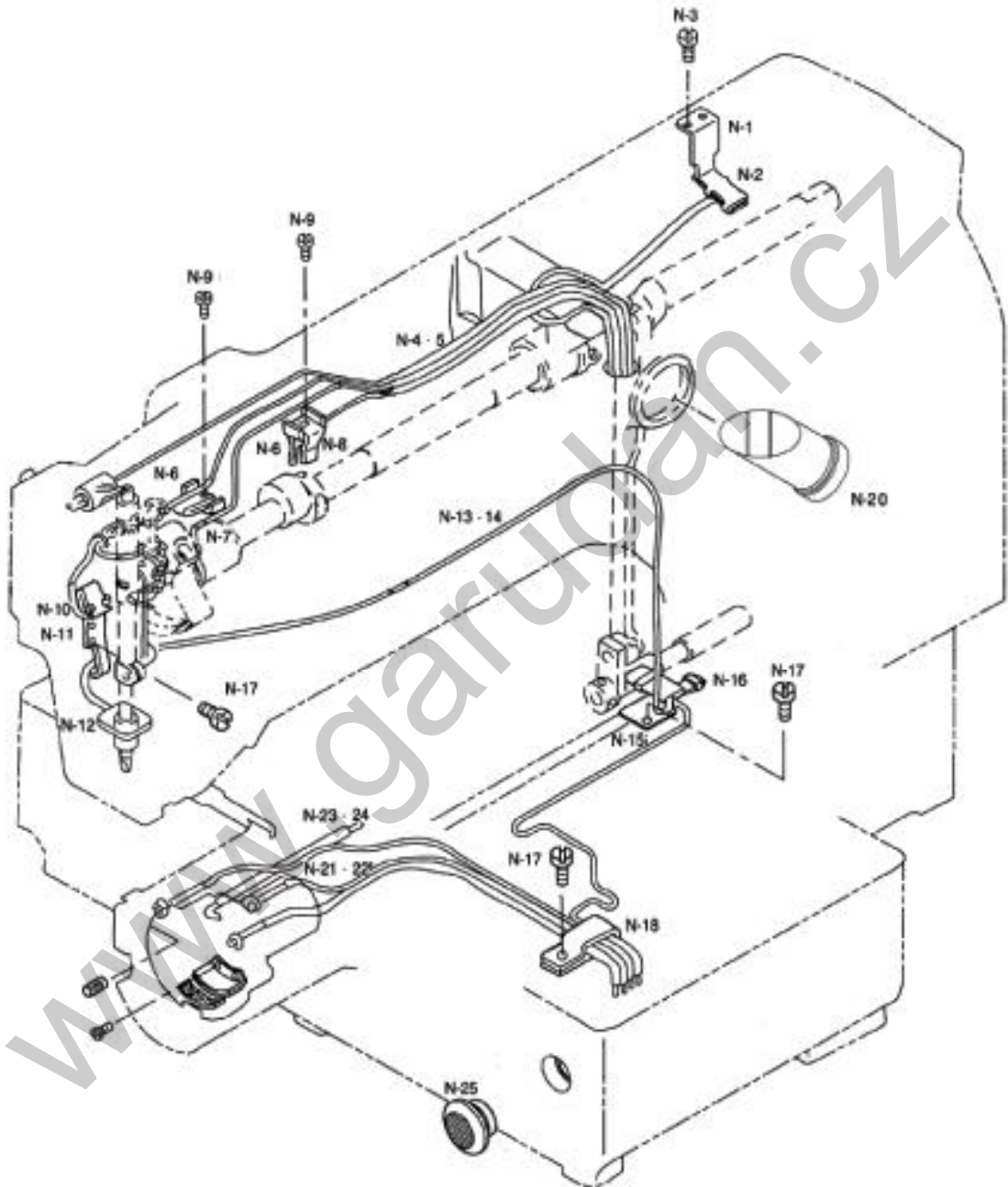
Ref.No	Parts No.	Name of parts	Popis	Qty	Note
L-1	L0103020	Arm Modification	Rameno	1	
L-2	L0203020	Bushing Holder L	Držák L	1	
L-3	L0303020	Bearing Cover	Kryt	2	
L-4	L0403020	Bushing Holder R	Držák R	1	
L-5	L0503020	Shaft	Hřídel	1	
L-6	L0603020	Trimming Pulley	Ozubené kolo	1	
L-7	L0703020	Bushing	Pouzdro	3	
L-8	L0803020	Bushing	Pouzdro	1	
L-9	L0903020	Teeth Shaft	Hřídel	2	
L-10	L1003020	Gear	Ozubené kolo	1	
L-11	L1001507	Y-Drive Gear	Ozubené kolo osy Y	1	
L-12	L1203020	Cylinder Head Cap Screw	Šroub	8	
L-13	L1303020	Washer	Podložka	8	
L-14	L1403020	Spring Washer	Podložka	12	
L-15	L1503020	Cylinder Head Cap Screw	Šroub	4	
L-16	L1603020	Bearing	Ložisko	2	
L-17	L1703020	T-Belt	Řemen	1	
L-18	L1803020	Trimming Pulley	Ozubené kolo	1	
L-19	L1903020	Nut Holder	Držák	2	
L-20	L2003020	Y-Moving Shaft Holder Right	Držák (R)	1	
L-21	L2103020	Y-Moving Shaft Holder Left	Držák (L)	1	
L-22	L2203020	Bushing	Pouzdro	2	
L-23	L2303020	Cylinder Head Cap Screw	Šroub	2	
L-24	L2403020	Spring Washer	Podložka	4	
L-25	L2503020	Cylinder Head Cap Screw	Šroub	4	
L-26	L2603020	Parallel Pin	Kolík	2	
L-27	L2703020	Hexagon Socket Set Screw	Šroub	6	
L-28	L2803020	Screw	Šroub	2	
L-29	L2903020	Holder	Držák	1	
L-30	L3003020	Y-Sensor Bracket	Držák	1	
L-31	L3103020	Spring Washer	Podložka	4	
L-32	L3203020	Washer	Podložka	2	
L-33	L3303020	Hex Nut	Matka	2	
L-34	K4003020	Clamp	Špona	1	
L-35	L3503020	Hexagon Socket Set Screw	Šroub	2	
L-36	L3603020	Cylinder Head Cap Screw	Šroub	4	
L-37	K0103020	Y-Driving Motor Ass'y	Motor osy Y	1	
L-38	L3803020	Cylinder Head Cap Screw	Šroub	8	
L-39	L3903020	Screw	Šroub	4	
L-40	J5601507	Washer	Podložka	4	
L-41	L4103020	Washer	Podložka	4	
L-42	L4203020	Plate	Deska	1	
L-43	M1803020	Screw	Šroub	4	
L-44	K3703020	X Ball Gauge Ass'y	Lineární ložisko osy X	1	
L-45	K3703020	Screw	Šroub	9	
L-46	L4603020	Plate	Deska	1	

Ref.No	Parts No.	Name of parts	Popis	Qty	Note
M-1	M0103020	Feed Bracket	Držák	1	
M-2	K0403020	Washer	Podložka	4	
M-3	J2701507	Nut	Matka	4	
M-4	C4901507	Washer	Podložka	4	
M-5	M0503020	Screw	Šroub	2	
M-6	Q4701507	Washer	Podložka	2	
M-7	K0403020	Washer	Podložka	1	
M-8	M0803020	Air Slide Tabel	Kostka	2	
M-9	Q1301507	Hose Union	Nástrčná spojka	4	
M-10	M1003020	Upper Feed Plate Bracket Holder (R)	Držák	1	
M-11	M1103020	Upper Feed Plate Bracket Holder (L)	Držák	1	
M-12	M1203020	Setting Pin	Kolík	2	
M-13	L0201507	Screw	Šroub	2	
M-14	M1403020	Upper Feed Plate Bracket	Držák	1	
M-15	Q4701507	Washer	Podložka	2	
M-16	M1603020	Spring Washer	Podložka	2	
M-17	M1703020	Screw	Šroub	2	
M-18	M1803020	Screw	Šroub	4	
M-19	A3201507	Screw	Šroub	4	
M-20	M2003020	Upper Feed Plate Hinge	Držák	2	
M-21	M2103020	Upper Feed Plate Hinge Shaft	Kolík	2	
M-22	M2203020	Upper Feed Plate	Horní rámeček	1	
M-23	M2303020	Lower Feed Plate	Podávací deska pro GPS-3020	1	
M-24	M2403020	Screw	Šroub	2	
M-25	Q4701507	Washer	Podložka	2	
M-26	M2603020	Upper Feed Plate Stopper Rubber	Ucpávka	2	
M-27	M2703020	Sponge	Podložka	2	

N

Mazání

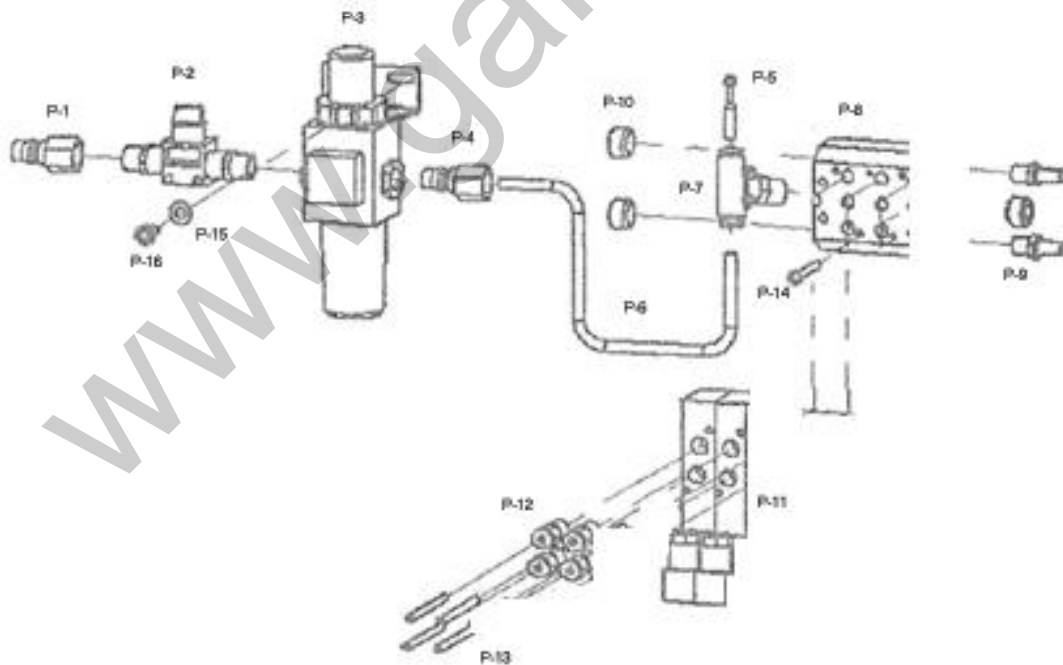
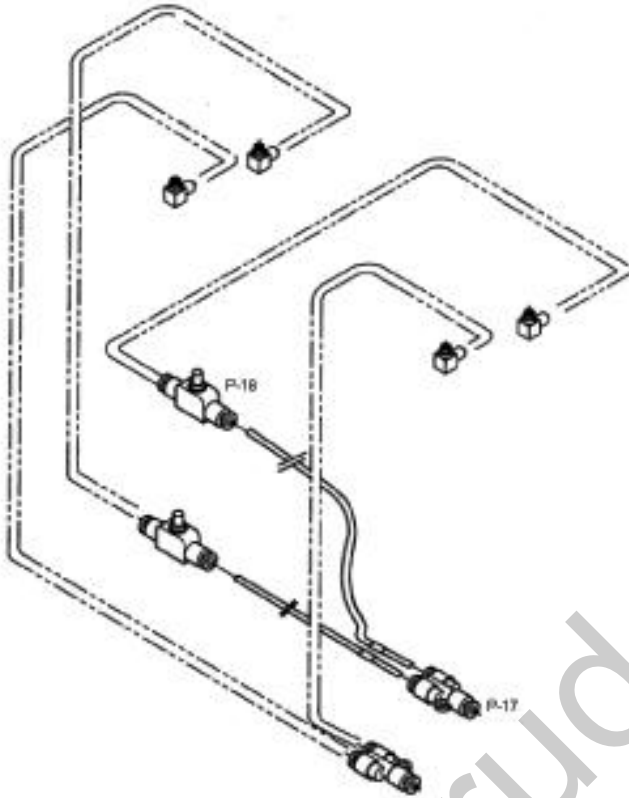
Lubrication Mechanism



Ref.No	Parts No.	Name of parts	Popis	Qty	Note
N-1	N0101507	Crank Rod Lubrication Plate	Plech	1	
N-2	N0201507	Felt	Filc	1	
N-3	A4301507	Screw	Šroub	4	
N-4	N0401507	Oil Wick	Knot	3	
N-5	N0501507	Oil Hose	Hadička	3	
N-6	N0601507	Blance Lubrication Plate	Plech	2	
N-7	N0701507	Blance Lubrication Felt(M)	Filc	1	
N-8	N0801507	Blance Lubrication Felt(R)	Filc	1	
N-9	C5401507	Screw	Šroub	2	
N-10	N1001507	Needle Bar Crank Rod Lubrication Plate	Plech	1	
N-11	N1101507	Felt	Filc	1	
N-12	N1201507	Arm Oil Return Felt	Filc	1	
N-13	N1301507	Arm Oil Return Felt	Knot	1	
N-14	N1401507	Arm Oil Return Felt Oil Hose	Hadička	1	
N-15	N1501507	Oscillator Shaft Gear Lubrication Plate	Plech	1	
N-16	N1601507	Oscillator Shaft Gear Lubrication Felt	Filc	1	
N-17	B3201507	Screw	Šroub	4	
N-18	A4701507	Oil Hose Holder(L)	Držák	1	
N-20	N2001507	Oil Gauge	Olejoznak	1	
N-21	N0401507	Shuttle Lubrication Wick	Knot	1	
N-22	N0501507	Shuttle Lubrication Oil Hose	Hadička	1	
N-23	N2301507	Bed Oil Return Felt	Filc	1	
N-24	N1401507	Bed Oil Return Felt Oil Hose	Hadička	1	
N-25	N2501507	Oil Window	Olejoznak	1	

P

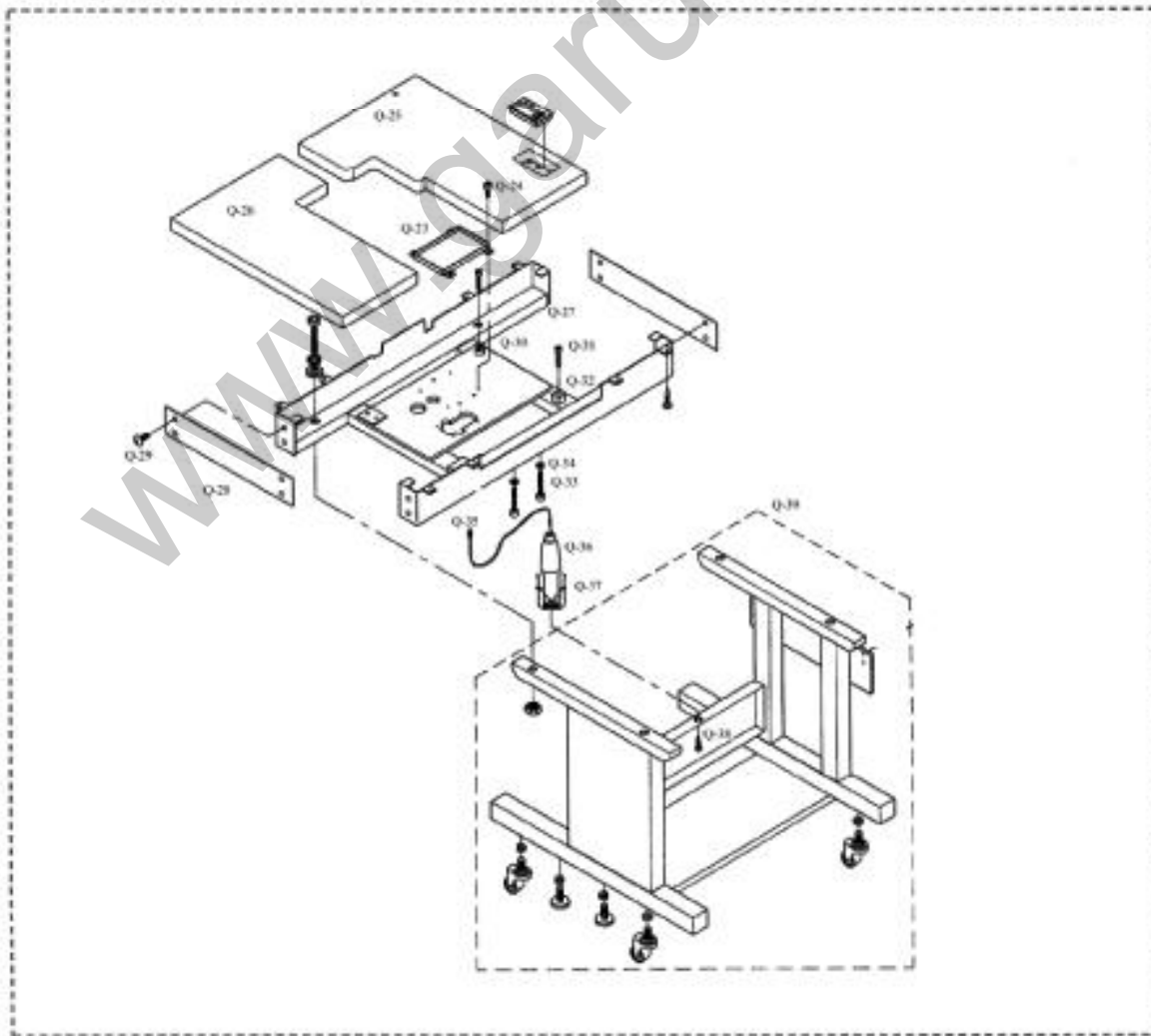
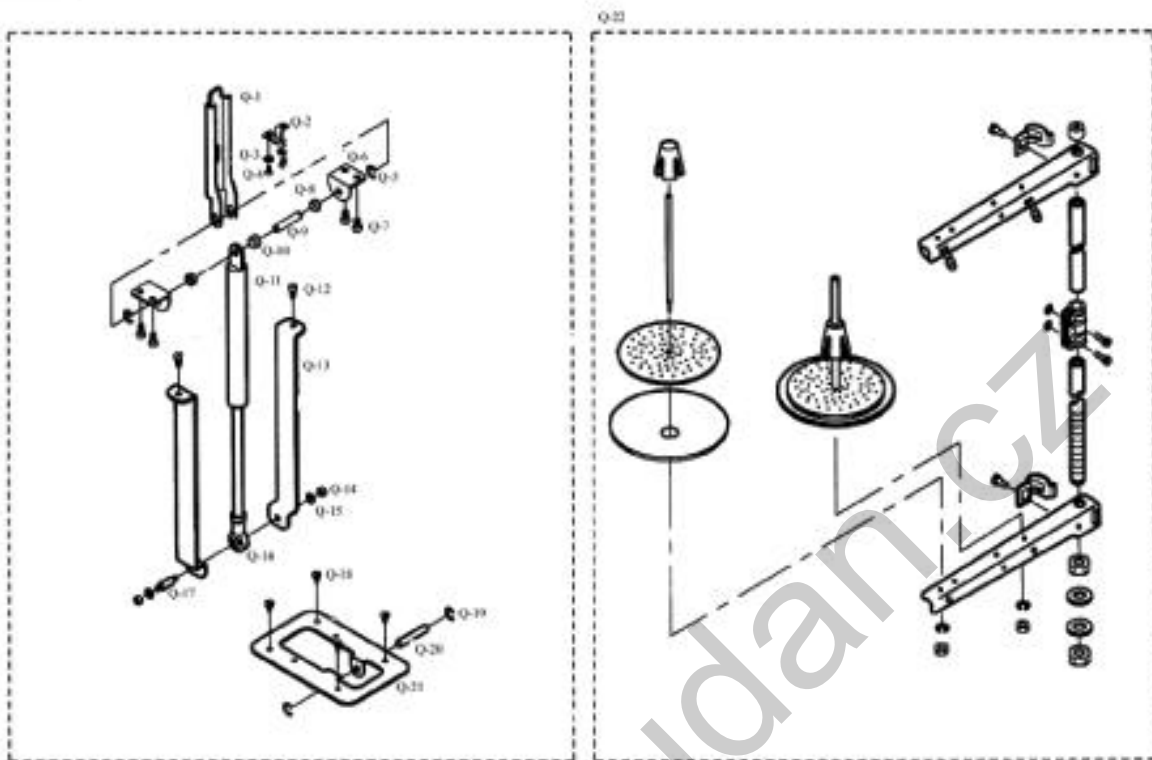
Pneumatic Mechanism Pneumatika



Ref.No	Parts No.	Name of parts	Popis	Qty	Note
P-1	U0101507	Clutch	Nástrčná spojka	1	
P-2	U0201507	Finger Valve	Ruční ventil	1	
P-3	U0301507	Filter Regulator	Filtr s regulátorem tlaku	1	
P-4	U0401507	Clutch	Nástrčná spojka	1	
P-5	U0501507	Plug	Zátka	1	
P-6	U0601507	Hose 8mm	Hadice 8mm	0.3m	
P-7	U0701507	Clutch	Nástrčná spojka	1	
P-8	P0803020	Plate 2	Deska 2	1	
P-9	U0901507	Silenoid	Tlumič hluku	2	
P-10	U1001507	Plug	Ucpávka	3	
P-11	U1101507	Magnetic Valve	Ventil elektromagnetický	2	
P-12	U1201507	Clutch	Nástrčná spojka	4	
P-13	U1301507	Hose 4mm	Hadice 4mm	10m	
P-14	U1401507	Screw	Vrut	2	
P-15	U1501507	Washer	Podložka	2	
P-16	U1601507	Screw	Šroub	2	
P-17	P1703020	Quick Coupling	Spojka	2	
P-18	P1803020	Speed Controller	Spojka	2	



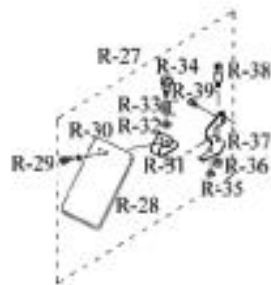
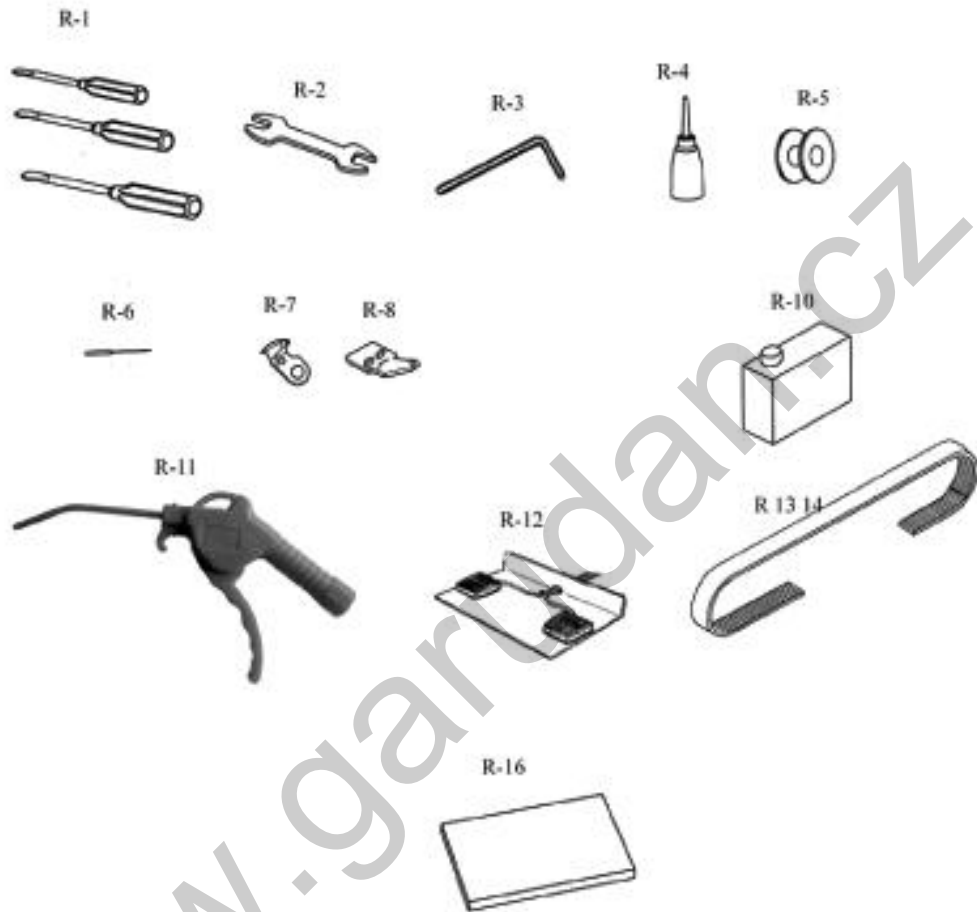
Table & Thread Mechanism Plát, stavec, nitový stojánek



Ref.No	Parts No.	Name of parts	Popis	Qty	Note
Q-1	Q0103020	Frame Support Bracket	Držák	1	
Q-2	Q0203020	Frame Support Bracket Stopper	Stojan - kompletní	1	
Q-3	C4901507	Washer	Podložka	2	
Q-4	M0601507	Screw	Šroub	2	
Q-5	K4003020	Clamp	Spona	2	
Q-6	Q0603020	Gas Spring Bracket Shaft Bracket	Držák	2	
Q-7	M0503020	Screw	Šroub	4	
Q-8	Q0803020	Gas Spring Joint Ring B	Podložka	2	
Q-9	Q0903020	Gas Spring Bracket Upper Shaft	Držák	1	
Q-10	Q1003020	Gas Spring Joint Ring A	Podložka	1	
Q-11	Q1103020	Gas Spring	Píst	1	
Q-12	Q1203020	Screw	Šroub	2	
Q-13	Q1303020	Gas Spring Bracket	Držák	2	
Q-14	F6901507	Nut	Matka	2	
Q-15	H2601507	Washer	Podložka	2	
Q-16	Q1603020	JFT8	Spojka	1	
Q-17	Q1703020	Gas Spring Bracket Lower Shaft	Držák	1	
Q-18	K2303020	Screw	Šroub	4	
Q-19	K4003020	Clamp	Spona	2	
Q-20	Q2003020	Gas Spring Fixwd Frame Shaft	Kolík	1	
Q-21	Q2103020	Gas Spring Fixwed Frame	Rámeček	1	
Q-22	P1401507	Thread Stand Ass'y	Niťový stojánek	1Set	
Q-23	Q2303020	Oil Supporter	Olejová vana	1	
Q-24	A1301507	Screw	Šroub	4	
Q-25	Q2503020	Table (R)	Plát (R)	1	
Q-26	Q2603020	Table (L)	Plát (L)	1	
Q-27	Q2703020	Body	Podstavec	1	
Q-28	Q2803020	Body Side Cover	Kryt	2	
Q-29	Q2903020	Screw	Šroub	8	
Q-30	Q3003020	Support Rubber For Bed (R)	Ucpávka (R)	1	
Q-31	Q3103020	Screw	Šroub	2	
Q-32	Q3203020	Support Rubber For Bed (F)	Ucpávka (R)	1	
Q-33	Q3303020	Screw	Šroub	1	
Q-34	O0901507	Washer	Podložka	1	
Q-35	Q3503020	Oiler Supporter Nipple	Olejová šňůra	1	
Q-36	Q3603020	Oiler	Olejová nádoba	1	
Q-37	Q3703020	Oiler Holder	Držák olejové nádoby	1	
Q-38	Q3803020	Screw	Šroub	1	
Q-39	Q3903020	Table Stand Ass'y	Stojan kompletní	1Set	
Q-40	Q4003020	Screw	Šroub 6x20	2	
Q-41	Q4103020	Screw	Šroub 6x35	6	
Q-42	Q4203020	Washer	Podložka	8	
Q-43	Q4303020	Bar	Tyč	1	
Q-44	Q4403020	Screw	Šroub	4	
Q-45	Q4503020	Washer	Podložka	8	
Q-46	Q4603020	Nut	Matka	4	

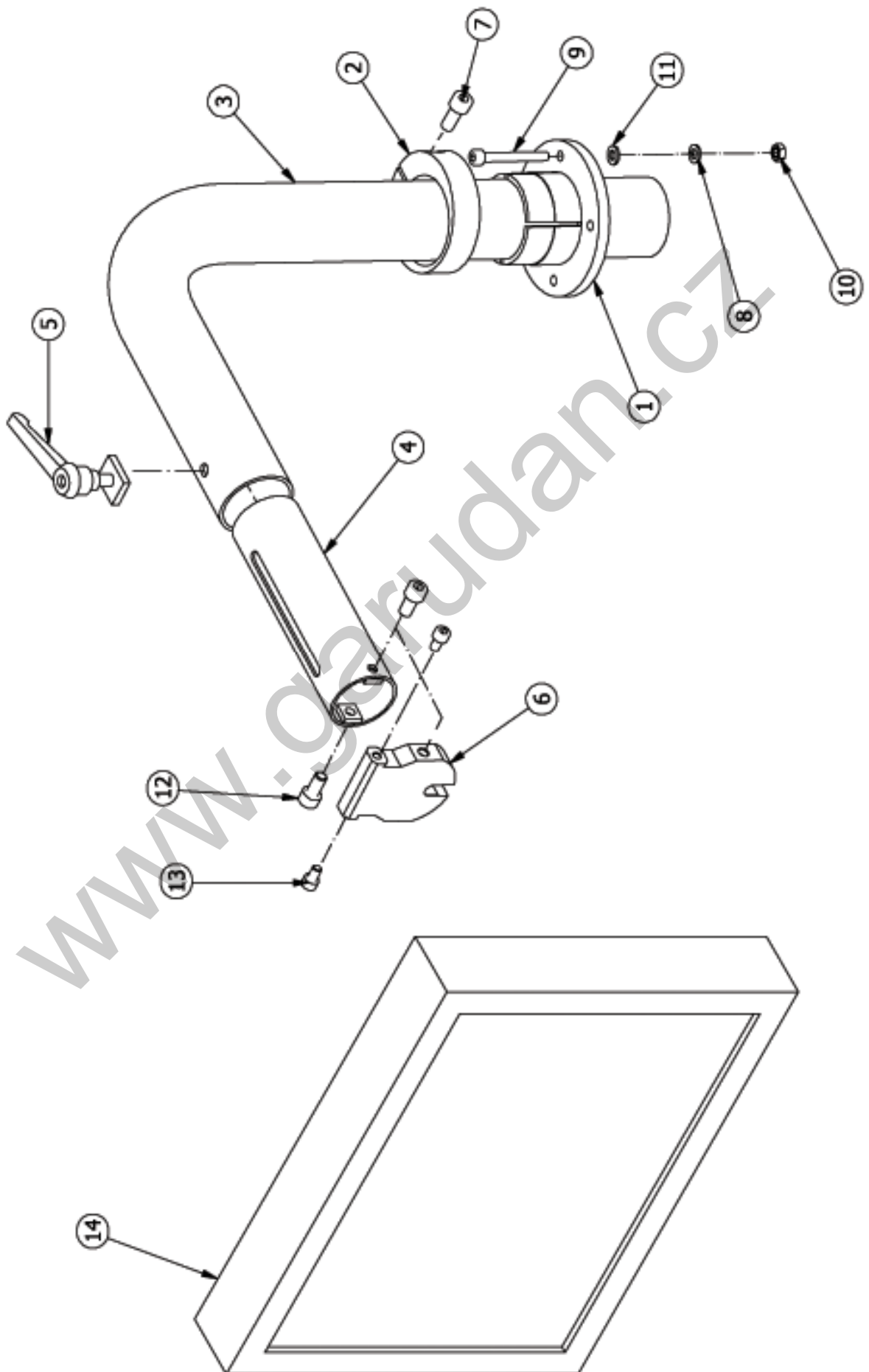
R

Accessory Příslušenství



Ref.No	Parts No.	Name of parts	Popis	Qty	Note
R-1	P0101507	Driver	Šroubovák	1Set	
R-2	P0201507	Spaner	Klíč	1Set	
R-3	P0301507	L-Shape Wrench(2mm)	Imbus klíč (2mm)	1	
		L-Shape Wrench(2.5mm)	Imbus klíč (2.5mm)	1	
		L-Shape Wrench(3mm)	Imbus klíč (3mm)	1	
		L-Shape Wrench(4mm)	Imbus klíč (4mm)	1	
		L-Shape Wrench(5mm)	Imbus klíč (5mm)	1	
R-4	P0401507	Oiler	Olejníčka	1	
R-5	P0501507	Bobbin	Cívka	8	
R-6	C2701507	Needle (DP×17#23)	Jehly (DP×17#23)	10	
R-7	J4501507	Moving Mes	Pohyblivý nůž	1	
R-8	J4301507	Fixed Mes	Pevný nůž	1	
R-10	P1001507	Bottle Of Oil	Olej	1	
R-11	R1103020	Air gun	Vzduchová pistole	1	
R-12	R1203020	Foot Switch Ass'y	Pedály	1Set	
R-16	R1603020	Manual & Parts Book	Návod & katalog náhradních dílů	1	
R-19	R1903020	Fuse	Pojistka	1	
R-20	R2003020	Fuse	Pojistka	1	
R-21	R2103020	Fuse	Pojistka	1	
R-23	P0203020	Hose	Hadice	0.2m	
R-25	R2503020	Hose	Hadice	4m	
R-26	R2603020	Plug	Koncovka	1	
R-27	P2701507	Safety Pate Ass'y	Chráníč očí	1Set	
R-28	P2801507	Safety Pate	Plexi	1	
R-29	B3201507	Screw	Šroub	2	
R-30	J5601507	Washer	Podložka	2	
R-31	P3101507	Safety Plate Holder	Držák	1	
R-32	A4001507	Washer	Podložka	1	
R-33	P3301507	Safety Plate Spring	Pružina	1	
R-34	P3401507	Safety Plate Hinge Screw	Šroub	1	
R-35	H3201507	Nut	Matka	1	
R-36	J3401507	Nut	Matka	1	
R-37	P3701507	Safety Bracket	Držák	1	
R-38	P3801507	Safety Plate Spring Hook	Pružina	1	
R-39	B3201507	Screw	Šroub	2	
R-40	O0301507	Screw Nail	Šroub	2	

T LCD + Holder



Ref.No	Parts No.	Name of parts	Popis	Qty	Note
T-1	Q-1	Flange	Držák ramene	1	
T-2	Q-2	Clamp Ring	Kroužek	1	
T-3	Q-3	Arm	Rameno	1	
T-4	Q-4	Move Tube	Trubice	1	
T-5	XXX	Tightening Lever	Páka	1	
T-6	Q-6	Holder of Pen	Držák pera	1	
T-7		Cylinder Head Cap Screw	Šroub	1	
T-8		Spring Washer	Podložka	4	
T-9		Cylinder Head Cap Screw	Šroub	4	
T-10		Hex Nut	Matka	4	
T-11		Washer	Podložka	1	
T-12		Cylinder Head Cap Screw	Šroub	2	
T-13		Cylinder Head Cap Screw	Šroub	2	
T-14	O2101507	Touch LCD 15"	Dotykový LCD monitor 15"	1	
T-15	T1503020	Holder of Pen	Držák pera	1	
T-16	T1603020	Plastic Catch	Držák	1	
T-17	T1703020	Screw	Šroub	1	