

# YAO HAN

手提式縫口袋機

MODEL

PORTABLE BAG CLOSER

F300A ( ONE THREAD )  
單線

PARTSBOOK 零件本

F302A ( TWO THREAD )  
雙線



耀 瀚 股 份 有 限 公 司  
YAO HAN INDUSTRIES CO., LTD.

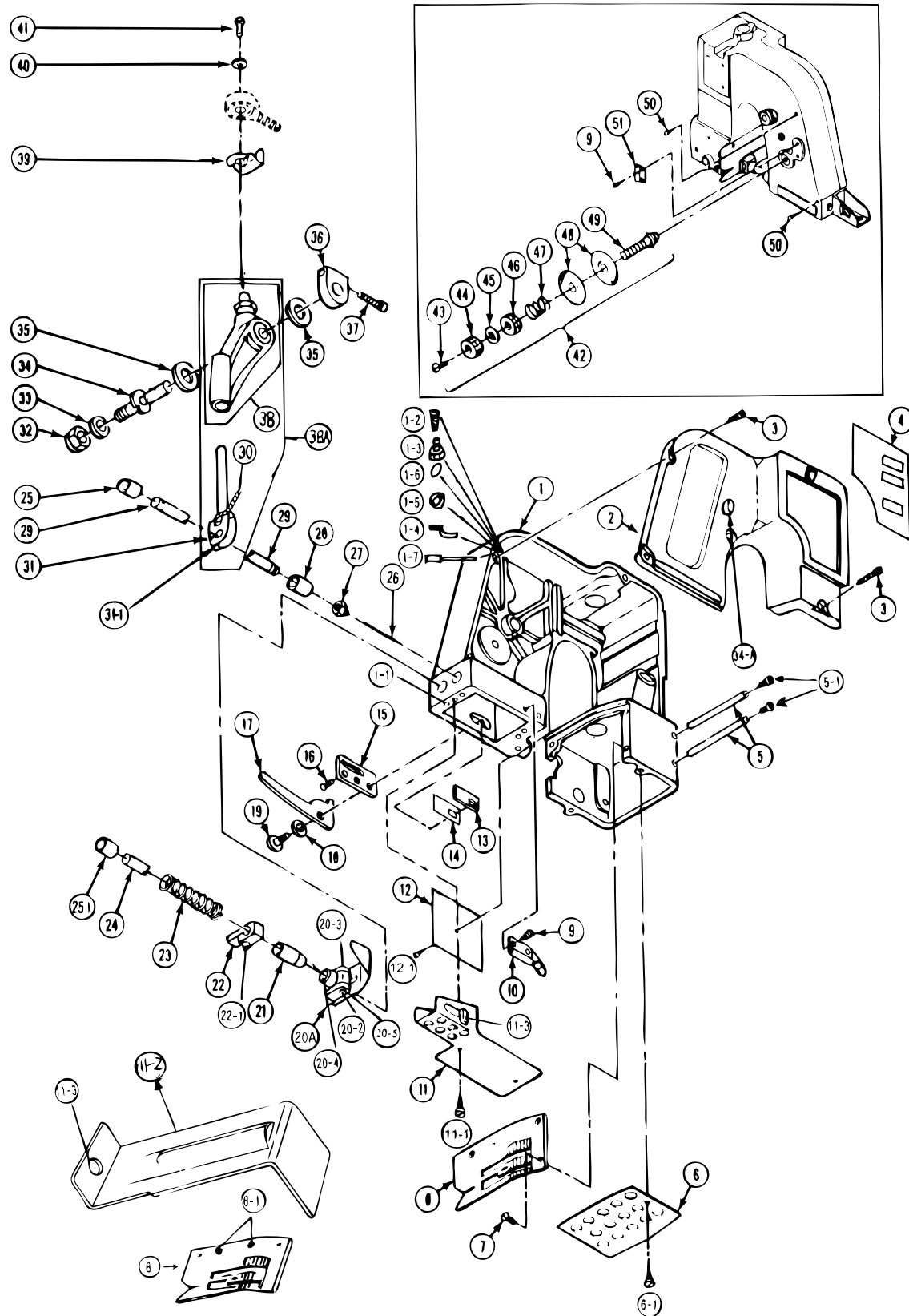


2005.09.26



耀 瀚 股 份 有 限 公 司  
YAO HAN INDUSTRIES CO., LTD.

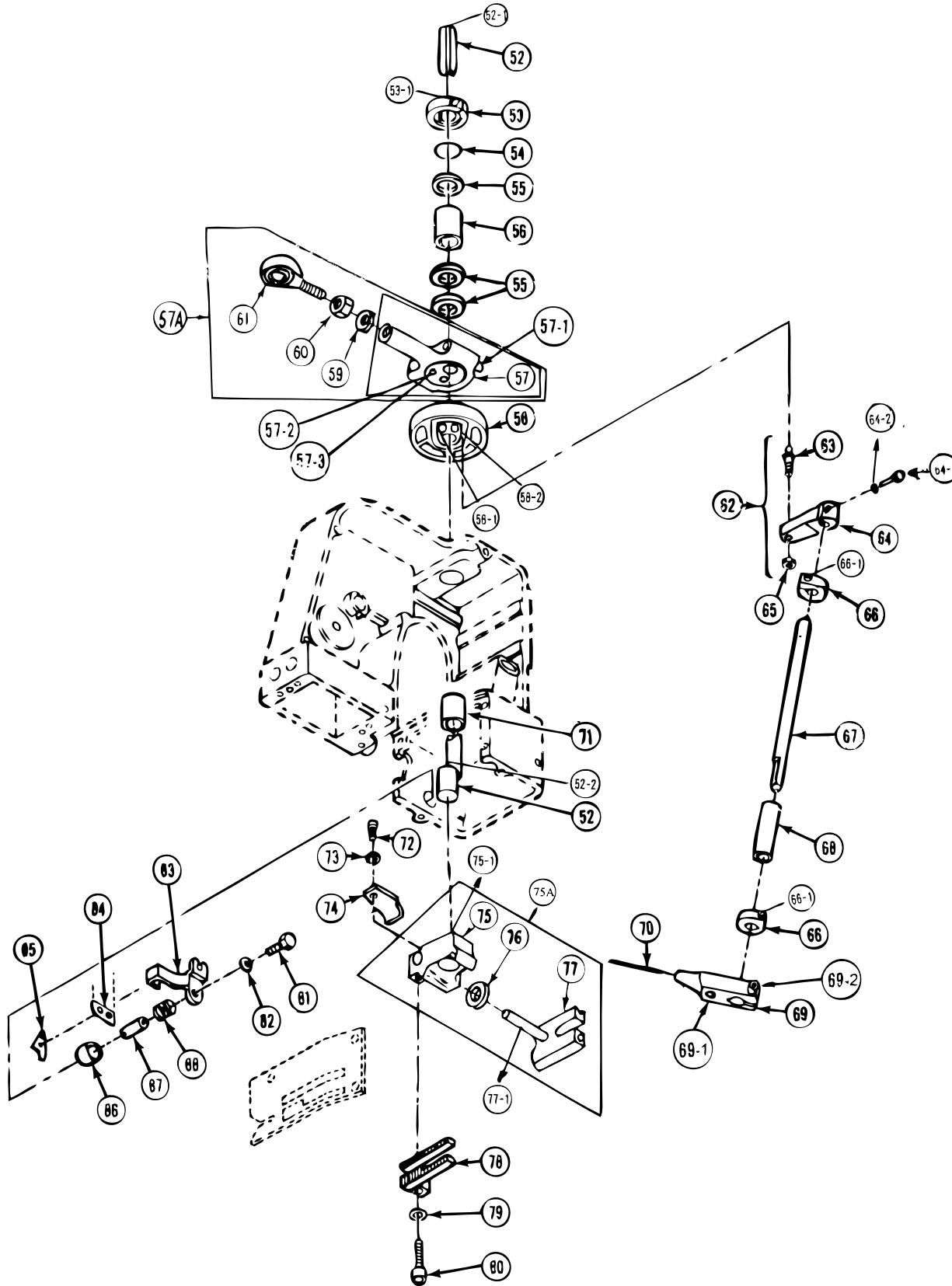
F302A MOD. "F300A" HOUSING, NEEDLE LEVER, PRESSER FOOT PLATE A  
ILLUSTRATED PARTS BREAKDOWN ORDER BY NUMBER



F302A MOD. "F300A" HOUSING, NEEDLE LEVER, PRESSER FOOT PLATE A  
ILLUSTRATED PARTS BREAKDOWN ORDER BY NUMBER

ITEM	QUAN.	PART NO.	DESCRIPTION
1	1	3001201	ASSY., HOUSING & COVERW/BUSHINGS
1-1	8	3001201-1	SCREW, SOC.SET-#8-32N.C.X3/16(SCREW FPR ALL BUSHINGS)
1-2	1	3001201-2	SPRING
1-3	1	3001201-3	JOINT
1-4	1	3001201-4	OILPIPE
1-5	1	3001201-5	NUT
1-6	1	3001201-6	WASHER
1-7	2	3001201-7	OIL TUBE
2	1	3001202	COVER, HOUSING. (PART OF ITEM#1)
3	6	3001203	SCREW, FILLISTER HD, #8-32N. C. X5/8
4	1	3001204	NAMEPLATE
5	2	3001205	STUD, FEED DOG, CARRIER SLIDE
5-1	4	3001205-1	SCREW, SOC. BUTTON HD.-#10-32N. F. X1/4
6	1	3001206	COVER, LOOPER
5-1	1	3001206-1	STUD, LOOPER COVER
7	3	3001207	SCREW, FLATHD.-#6/40N. E. X3/8
8	1	3001208	PLATE, THROAT-STANDARD
8-1	1	3001208-1	PLATE, THROAT TAPING
9	4	3001209	SCREW, BINDING HD.-6/32N. C. X3/16
10	1	3001210	TUBE, THREAD GUIDE (FRONT)
11	1	3001211	GUARD, NEEDLE BAR
11-1	3	3001211-1	SCREW, BINDING HD.-#8-32N. C. X1/4
11-2		3001211-2	GUARD, NEEDLE BOB FOR CE
11-3	1	3001211-3	SCREW #8-32N. L. X3/8
12	1	3001212	PLATE, COVER
12-1	1	3001212-1	SCREW, BINDING HD.-#10-32N. E. X1/4
13	1	3001213	COVER, SLIDE PAD
14	1	3001214	PAD, SLIDE
15	2	3001215	PLATE, LEVER
16	1	3001216	SCREW, FLATHEAD-#8-32N. C. X5/16
17	1	3001217	LEVER, LIFTER-PRESSER FOOT
18	1	3001218	WASHER, SPRANG
19	1	3001219	SCREW, PIVOT
20	1	3001220A	ASSY., PRESSER FOOT
20-1	1	3001220A-1	PRESSER FOOT, TAPING & PLASTIC
20-2	1	3001220A-2	BOLT, HINGING
20-3	2	3001220A-3	NUT
20-4	1	3001220A-4	SCREW, SOC. SET-#8-32N. C. X3/16 (FLAT POINT)
20-5	1	3001220A-5	BOLT, HINGING CE
21	1	3001221	BUSHING, LOWER
22	1	3001222	LIFTER, PRESSER FOOT
22-1	1	3001237	SCREW, SOCKET CAP-#6-40N. F. X1/2
23	2	3001223	SPRING, PRESSER BAR
24	1	3001224	PRESSER BAR
25	1	3001225	BUSHING, NEEDLE BAR & UPPER
25-1	1	3001225-1	BUSHING, PRESSER BAR-UPPER
26	1	3001226	NEEDLE
27	1	3001227	NUT, NEEDLE BAR
28	1	3001228	BUSHING, NEEDLE BAR-LOWER
29	1	3001.229	NEEDLE BAR
30	1	3001230	OIL FELT
31	1	3001231	ASSY., CLAMP- NEEDLE BAR
31-1	2	3001466-1	SCREW
32	1	3001232	NUT, LOCK(NYLOK SPECIAL) -3/8-24N.0
33	1	3001233	WASHER, FLAT
34	1	3001234	PIN, PIVOT
34-1	1	3001234-A	BUSHING
35	5	3001235	WASHER, THRUST-NEEDLE LEVER
36	1	3001236	CLAMP, PIVOT-NEEDLE
37	1	3001237	SCREW, SOC. CAP-#6-40N.F.X5/8
38A	1	3001238A	ASSY, NEEDLE BAR LEVER WITH CLAMP
38	1	3001238	ASSY, CLAMP-NEEDLE BAR LEVER
39	1	3001239	SPRING
40	1	3001240	WASHER, FLAT-#10
41	1	3001241	SCREW, HEX HD. #W-32N. F. X1/2
42	1	3001242	ASSY, TENSION-COMLETE
43	1	3001207	SCREW, HEX HD.-#6-40N. F. X3/8 (PART OF ITEM #42)
44	1	3001244	NUT TENSION-UPPER (PART OF ITEM #42)
45	1	3001245	WASHER, LOCK-TENSION (PART OF ITEM #42)
46	1	3001246	NUT TENSION-LOWER (PART OF ITEM #42)
47	1	3001247	SPRING, TENSION (PART OF ITEM #42)
48	2	3001248	DISC, TENSION (PART OF ITEM #42)
49	1	3001249	STUD, TENSION (PART OF ITEM #42)
50	2	3001250	EYELET, THREAD PULL OFF (PART OF ITEM #42)
51	1	3001251	TUBE, THREAD GUIDE-REAR (PART OF ITEM #42)

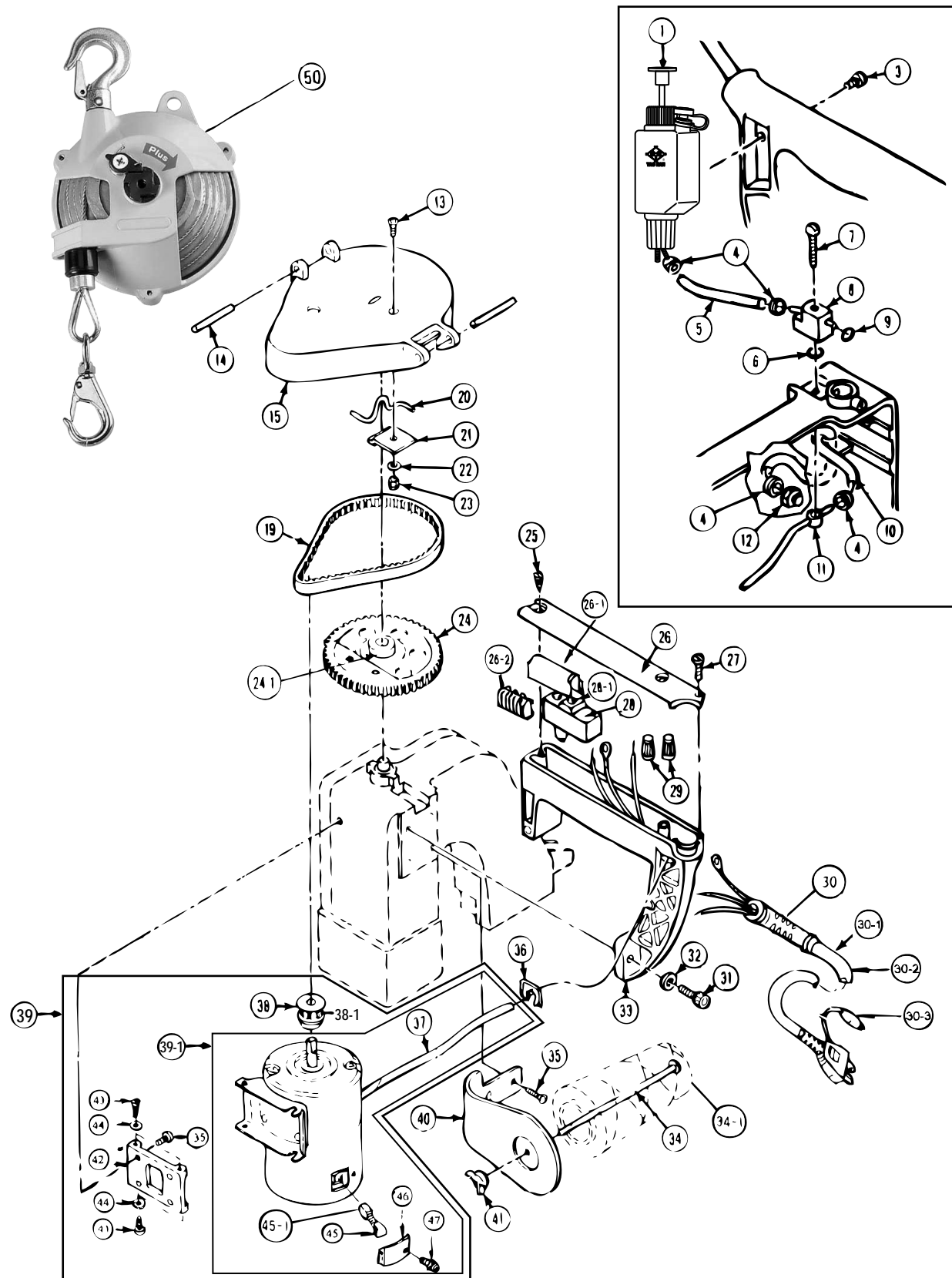
F302A MOD. "F300A" MIN SHAFT & LOOPER ASSEMBLY PLATE B  
ILLUSTRATED PARTS BREAKDOWN ORDER BY NUMBER



F302A MOD. "F300A" MIN SHAFT & LOOPER ASSEMBLY PLATE B  
ILLUSTRATED PARTS BREAKDOWN ORDER BY NUMBER

ITEM	QUAN.	PART NO.	DESCRIPTION
52	1	3001452	MAIN SHAFT
52-1	1	3001452-1	SCREW
52-2	1	3001452-2	OIL FELT
53	1	3001453	COLLAR, MAIN SHAFT
53-1	1	3001453-1	SCREW, SOC. CAP-#5/40N. C. X3/8
54	1	3001454	RING. "O"
55	1	3001455	WASHER, THRUST
56	3	3001456	BUSHING, MAIN SHAFT-REAR
57A	1	3001457A	ASSY CON ROD & ECCENTRIC WITH BEARING RDD END.
57	1	3001457	ASSY. CON ROD & ECCENTRIC
57-1	1	3001480	SCREW
57-2		3001457-2	SCREW (CONE POINT)
57-3	1	3001457-3	SCREW (FLAT POINT)
58	1	3001458	ASSY. CAM-LOOPER.
58-1	1	3001458-1	SCREW, SOC. SET-#10/32N. F. X5/8 (CONE POINT)
58-2	1	3001458-2	SCREW, SOC. SET-#10/32N. F. X1/2
59	1	3001459	WASHER, INTERNAL TOOTH-5/16
60	1	3001460	NUT. HEX-SPECIAL
61	1	3001461	BEARING, ROD END (PART OF ITEM #62)
62	1	3001462	ASSY. ARM & STUD-CAM FOLLOWER (PART OF ITEM #62)
63	1	3001463	STUD, CAM FOLLOWER (PART OF ITEM #62)
64	1	3001464	ARM. FOLLOWER-CAM (PART OF ITEM #62)
64-1	1	3001464-1	SCREW, SOC. CAP-#5-40N. C. X5/8 (PART OF ITEM #62)
64-2	1	3001464-2	WASHER. FLAT-#5 (SPECIAL)
65	2	3001465	NUT. HEX-SPECIAL
66	2	3001466	COLLAR, LOOPER SHAFT
66-1	1	3001466-1	SCREW, SOC. CAP-#5-40N. C. X1/2
67	2	3001467	SHAFT, LOOPER
68	1	3001468	BUSHING, LOOPER SHAFT
69	1	3001469	HOLDER, LOOPER
69-1	1	3001469-1	SCREW, SOC.-SET-#8-32N. C. X3/16 (FLAT POINT)
69-2	1	3001469-2	SCREW, SOC. CAP-#5-40N. C. X1/4
70	1	3001470	LOOPER
71	1	3001471	BUSHING, MAIN SHAFT-FRONT
72	1	3001472	SCREW, HEX H.D.-#8-32N. C. X5/15
73	1	3001473	WASHER, INTERNAL TOOTH-#8
74	1	3001474	CLIP. ANGLE
75A	1	3001475A	ASSY. CARRIER BLOCK WITH SLIDE.
75	4	3001475	CARRIER BLOCK, FEED DOG
75-1	1	3001475-1	SCREW, SOC. SET-#6-40N. F. X3/8 (FLAT POINT)
76	1	3001476	WASHER, FELT
77	1	3001477	SLIDE
77-1	1	3001477-1	KNIFE SHAFT
78	1	3001478	FEED DOG
78-1	1	3001478-1	FEED DOG, SPECIAL (LINEN MACHINE ONLY)
79	1	3001240	WASHER, FLAT-#8-SPECIAL
80	1	3001480	SCREW, SOC. CAP-#8-32N. C. XI
81	1	3001481	SCREW, HEX. HD-#10-32N. F. X3/8
82	1	3001482	WASHER, LOCK-#10
83	1	3001483	BRACKET, KNIFE
84	1	3001484	KNIFE, STATIONARY
84-1	2	3001484-1	SCREW, FLAT HD.-#3-48N. C. X5/16
85	1	3001485	KNIFE, MOVING
85-1	2	3001485-1	SCREW, FLAT HD.-#3-48N. C. X3/16
86	1	3001486	BUSHING, KNIFE SHAFT
87	1	3001487	SHAFT, KNIFE
88	1	3001488	SPRING, KNIFE-TENSION

F302A MOD. "F300A" HANDLE & ELECTRIC DRIVE

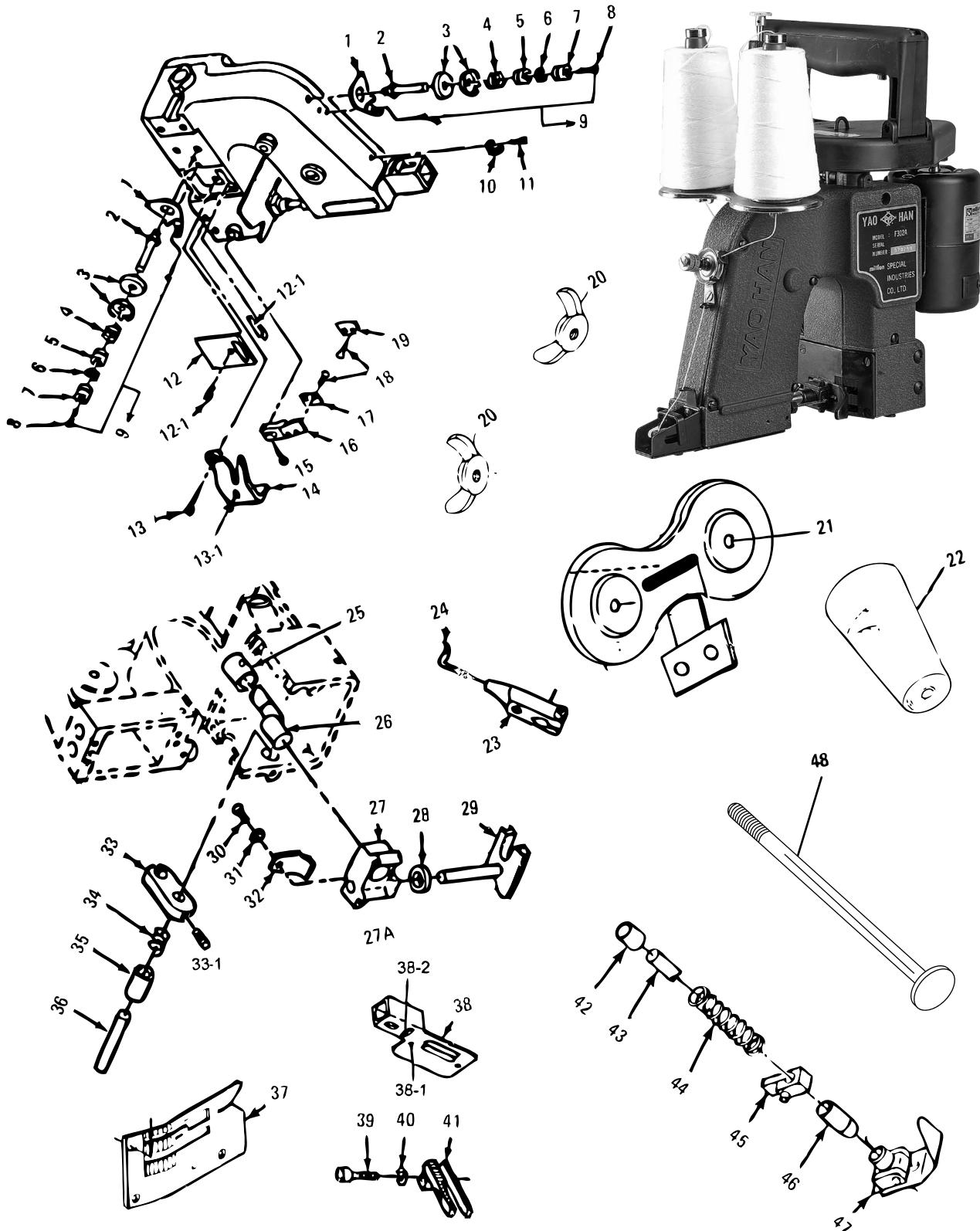


F302A MOD. "F300A" HANDLE & ELECTRIC DRIVE

ITEM	QUAN.	PART NO.	DESCRIPTION
1	1	3001601	ASSY., PUMP-OIL
3	1	3001603	SCREW, BINDING HD,#8-32N. C.X1/2
4	4	3001604	SPRING, GARTER
5	1	3001605	TUBING, OIL PUMP-PLASTIC (4X6X10.5)
5-1	1	3001605-1	TUBING, OIL PUMP-PLASTIC (4X6X20.5)
6	1	3001606	RING, "O"
7	1	3001607	SCREW BINDING HD,-#8-32N. C.X1/4
8	1	3001608	MANIFOLD, OUTSIDE
9	1	3001609	RING, "O"
10	1	3001610	TUBING, PLASTIC (4X6X11.5)
11	1	3001611	WELDMENT, MANIFOLD-INSIDE
12	1	3001612	FITTING, BARBED
13	1	3001613	SCREW, FLATHD.-#8-32N. C. X5/16
14	2	3001614	PIN,SPRING-1/4DIA, X11/2
15	1	3001615	GUARD, BELT
19	1	3001619	BEIT
20	1	3001620	HANGER
21	1	3001621	CLIP, HANGER
22	1	3001473	WASHER, INTERNAL TOOTH-#8
23	1	3001623	NUT, HEX-#8-32N. C.
24	1	3001624	PULLEY
24-1	2	3001624-1	#10-32NX 3/8 SCREW
25	1	3001625	SCREW, ROUND HD,#10-32N. F.X3/8
26	1	3001626	COVER, HANDLE
26-1	1	3001626-1	MICRO SWITCH COVER
26-2	1	3001626-2	FLEXIBLE TERMINAL BLOCK
27	1	3001627	SCREW, FILLISTER HD,#4-40NH. C.X3/4
28	1	3001628	SWITCH
28-1	2	3001628-1	END PLUG
29	1	3001629	WIRE NUT
30	1	3001630	CORD, SET 110V
30-1	2	3001630-1	CORD, SET 12V (10FT)
30-2	1	3001630-2	CORD WITH PLUG "CE"
30-3	1	3001630-3	ROUND TYPE
31	2	3001631	SCREW, SOC. CAP-1/4-20N. C.X3/4
32	1	3001632	WASHER, SPRING-1/4
33	1	3001633	HANDLE
34	10	3001634	BOLT, THREAD-CLAMPING
34-1	1	3001634-1	THREAD
35	1	3001635	SCREW, SOC. FLAT HD-#10-32N. F.X3/8
36	1	3001636	STAIN RELIEF
37	1	3001637	MOTORLEAD-3 WIRE SIO
38	1	3001638	PULLEY MOTOR
38-1	2	3001638-1	SCREW
39	1	3001639	UNIVERSAL MOTOR ASM. (110V)
	1	3001639-1	UNIVERSAL MOTOR ASM. (220V)
	1	3001639-2	UNIVERSAL MOTOR ASM. (12V)
	1	3001639-3	UNIVERSAL MOTOR ASM. (240V)
	1	3001639-4	UNIVERSAL MOTOR ASM. (24V)
39-1	1	3001639M	UNIVERSAL MOTOR (110V)
	1	3001639-1M	UNIVERSAL MOTOR (220V)
	1	3001639-2M	UNIVERSAL MOTOR (12V)
	1	3001639-3M	UNIVERSAL MOTOR (240V)
	1	3001639-4M	UNIVERSAL MOTOR (24V)
40	1	3001640	STAND, THREAD 3001639-4 MOTOR. 24V
41	1	3001641	NUT, WING-1/4-20N. C.
42	4	3001642	ASSY. HINGE MOTOR MOUNT
43	2	3001643	SCREW, SEMS-PAN HD.
44	1	3001644	WASHER, FOR MOTOR
45	1	3001645	CARBON BRUSH FOR AC MOTOR (SIZE:6X8X15)
45-1	1	3001645-1	CARBON BRUSH FOR AC MOTOR (SIZE:6X8X15)
46	1	3001646	CAP FOR MOTOR
47	1	3001647	SCREW (WITH WASHER)
48	1	3001648	HANDLE ASSEMBLY WITH OIL PUMP
49	1	3001649	HANDLE ASSEMBLY
*50	1	SB-5K	SPRING BALANCER FOR 3-5KGS
	1	SB-7K	SPRING BALANCER FOR 5-7KGS
	1	SB-9K	SPRING BALANCER FOR 7-9KGS

\*SPECIAL ORDER

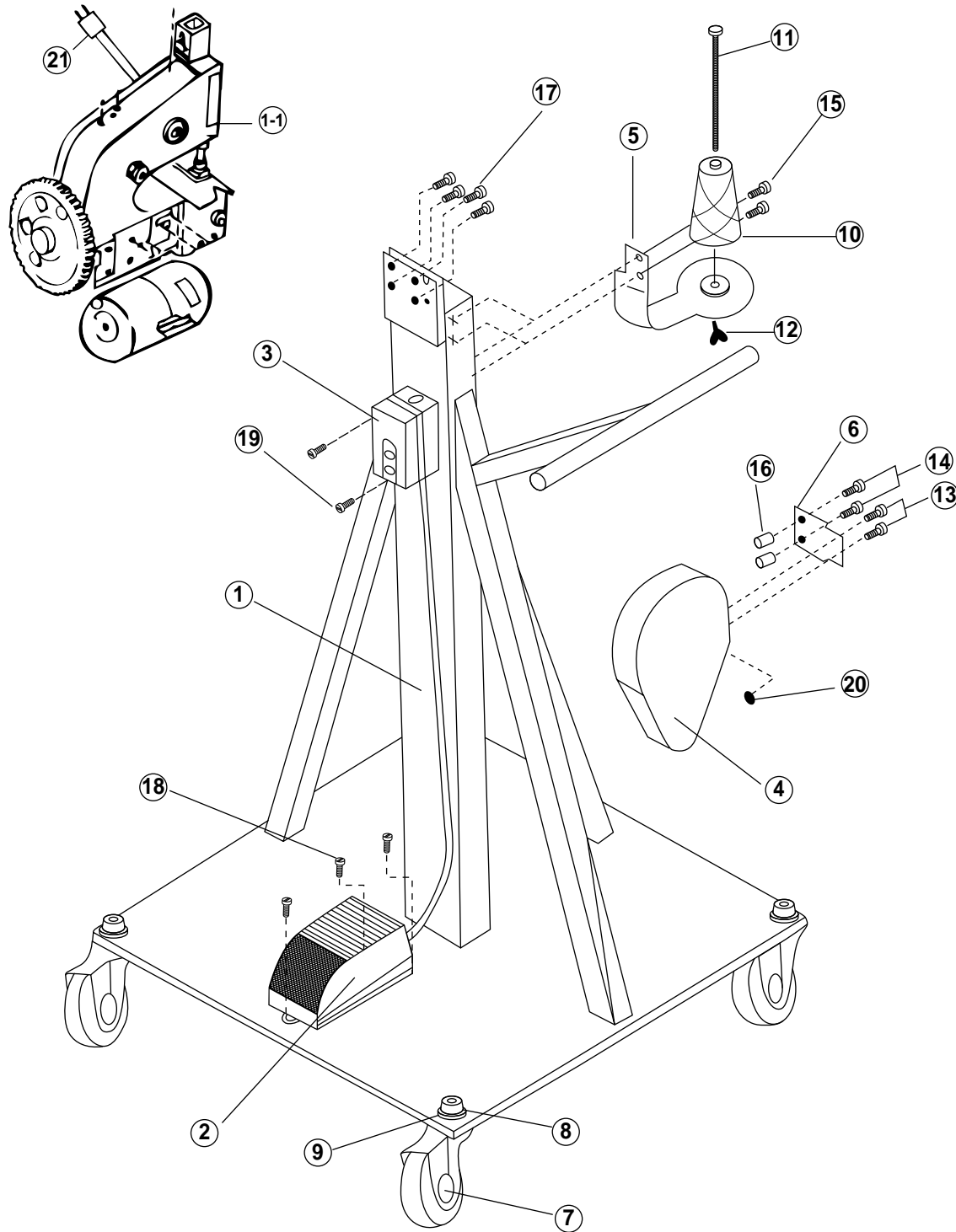
PARTS FOR F302A



PARTS FOR F302A

ITEM	QUAN.	PART NO.	DESCRIPTION
1	2	3001801	THREAD GUIDE FOR TWO THREADS
2	2	3001249	TENSION STUD
3	4	3001803	TENSION DISC FOR TWO THREAD
4	2	3001247	TENSION SPRING
5	2	3001246	TENSION NUT-UPPER
6	2	3001245	TENSION WASHER LOCK
7	2	3001244	TENSION NUT-LOWER
8	2	3001243	SCREW
9	2	3001809	TENSION ASSY FOR TWO THREAD
10	1	3001810	THREAD ANGLE CLIP FOR TWO THREAD
11	1	3001243	SCREW
12	1	3001812	COVER PLATE FOR TWO THREAD
12-1	1	3001812-1	SCREW
12-2	1	3001812-2	PIN
13	2	3001211-1	SCREW
13-1	1	3001212-1	SCREW
14	1	3001814	KNIFE GUARD FOR TWO THREAD
15	1	3001466-1	SCREW
16	1	3001816	KNIFE ARM FOR TWO THREAD
17	1	3001484	KNIFE STATIONERY
18	1	3001484-1	SCREW
19	1	3001485	MOVING KNIFE
20	2	3001820	THREAD ROD SCREW FOR TWO THREAD
21	1	3001821	THREAD STAND
22	1	3001634-1	THREAD
23	1	3001469	LOOPER HOLDER
24	1	3001824	LOOPER FOR TWO THREAD
25	1	3001471	MAIN SHAFT BUSHING
26	1	3001452	MAIN SHAFT
27	1	3001475	FEED DOG CARRIER
27A	1	3001475A	CARRIER BLOCK ASSY
28	1	3001476	FELT WASHER
29	1	3001477	SLIDE
30	1	3001472	SCREW
31	1	3001473	WASHER
32	1	3001474	ANGLE CLIP
33	1	3001833	ROCKER KNIFE ARM FOR TWO THREAD
33-1	1	3001833-1	SCREW
34	1	3001488	SPRING
35	1	3001486	KNIFE SHAFT BUSHING
36	1	3001487	KNIFE SHAFT
37	1	3001837	NEEDLE PLATE FOR TWO THREAD
38	1	3001838	NEEDLE BAR GUARD FOR TWO THREAD
38-1	2	3001211-1	SCREW
38-2	1	3001211-3	SCREW
39	1	3001480	SCREW
40	1	3001240	WASHER
41	1	3001841	FEED DOG
42	1	3001225	BUSHING-UPPER
43	1	3001224	PRESSER BAR
44	1	3001223	SPRING FOR PRESSER BAR
45	1	3001222	LIFTER
46	1	3001221	BUSHING-LOWER
47	1	3001847	PRESSER FOOT ASSY FOR TWO THREAD
48	2	3001848	THREAD CONE ROD FOR TWO THREAD

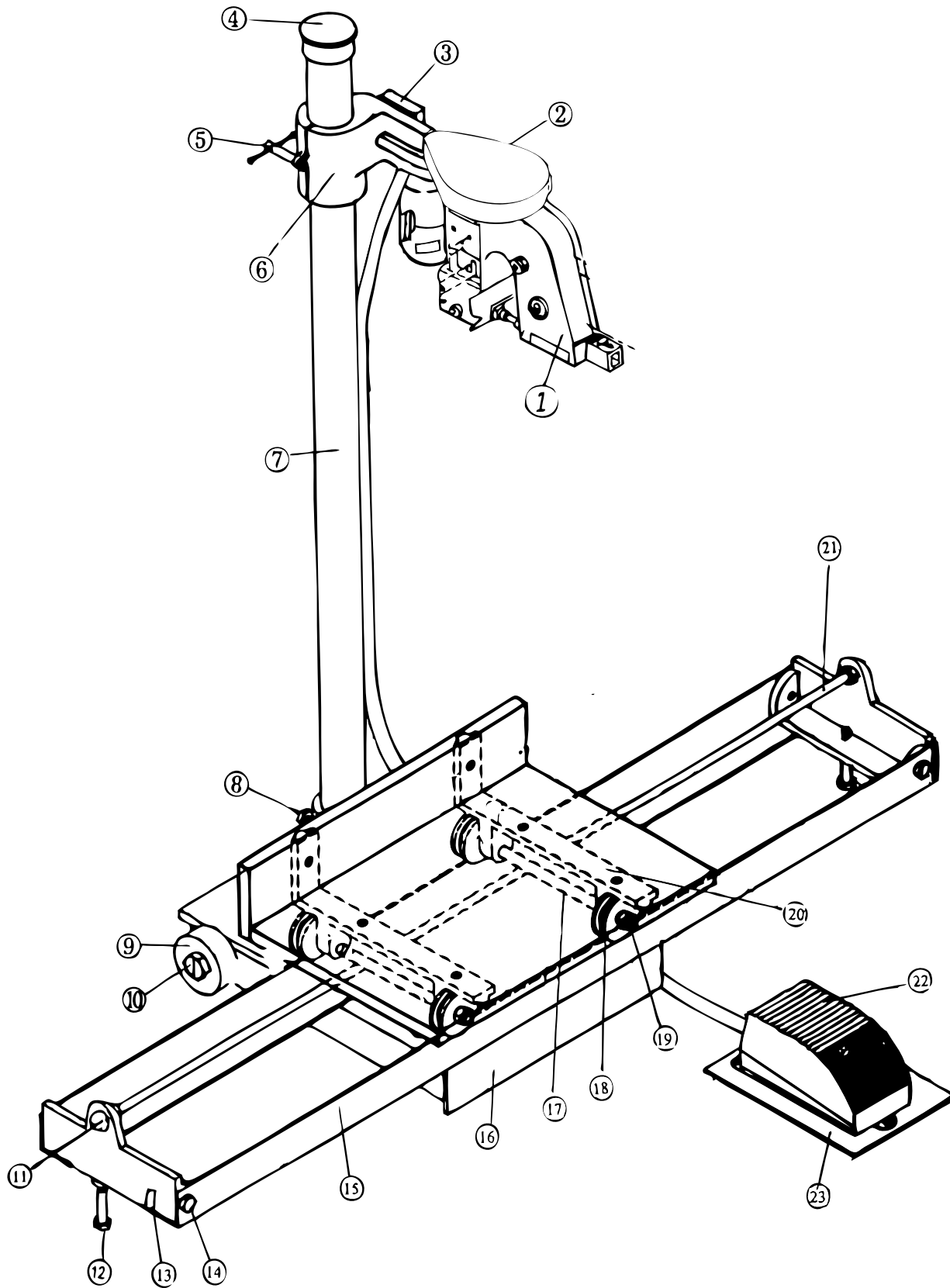
PARTS FOR MF300A & MF302A



PARTS FOR MF300A & MF302A

ITEM	QUAN.	PART NO.	DESCRIPTION
1	1	MF3002001	MOVED FRAME
1-1	1	MF3002001-1	MAIN FRAME
2	1	MF3002002	FOOT PEDAL
3	1	MF3002003	PUSH BUTTON SWITH
4	1	MF3002004	I GUARD BELT
5	1	MF3002005	THREAD STAND
6	1	MF3002006	FIXED PLATE
7	4	MF3002007	RUBBER WHEEL
8	8	MF3002008	NUT
9	4	MF3002009	WASHER
10	1	MF3002010	THREAD
11	1	MF3002011	BOLT THREAD CLAMPING
12	1	MF3002012	NUT WING 1/4 20N.C.
13	2	MF3002013	SCREW
14	2	MF3002014	SCREW
15	2	MF3002015	SCREW
16	2	MF3002016	NUT
17	4	MF3002017	SCREW
18	3	MF3002018	SCREW
19	2	MF3002019	SCREW
20	2	MF3002020	NUT
21	1	MF3002021	CORD WITH PLUG

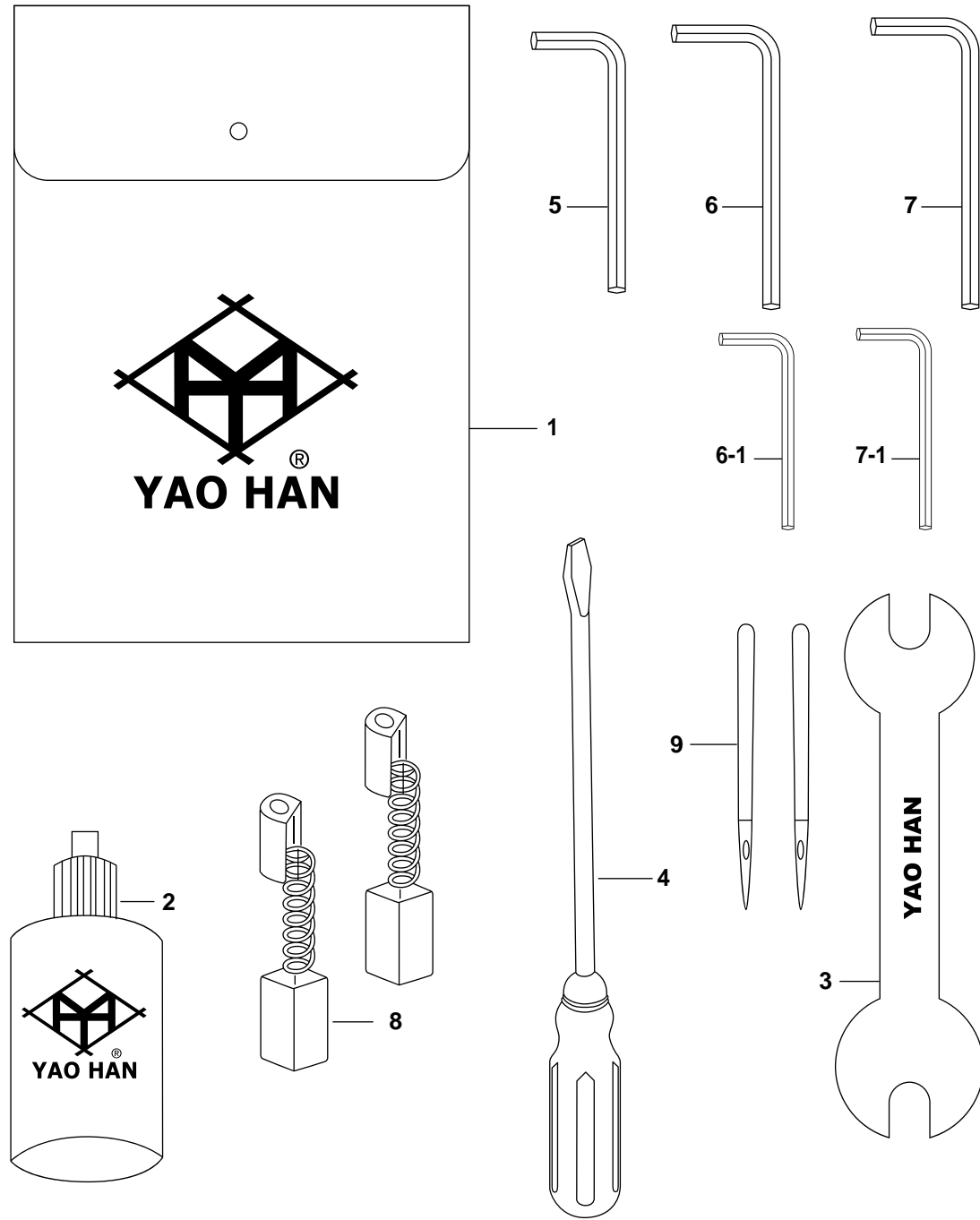
PARTS FOR FF300A & FF302A



PARTS FOR FF300A & FF302A

ITEM	QUAN.	PART NO.	DESCRIPTION
1	1	FF3002201	BAG CLOSER MACHINE
2	1	FF3002202	BELT COVER
3	1	FF3002203	PUSH BOTTOM SWITCH
4	1	FF3002204	PLASTIC CAP
5	1	FF3002205	HANDLE
6	1	FF3002206	ADJUSTABLE CRANK SET
7	1	FF3002207	MAIN SHAFT
8	2	FF3002208	SCREW
9	2	FF3002209	STEEL WHEEL
10	2	FF3002210	BOLT
11	2	FF3002211	NUT
12	2	FF3002212	SCREW
13	2	FF3002213	FRAME SET
14	4	FF3002214	SCREW
15	2	FF3002215	SLIDE FRAME SET
16	1	FF3002216	BASE SET
17	2	FF3002217	SCREW
18	4	FF3002218	SLIDE WHEEL
19	4	FF3002219	NUT
20	1	FF3002220	FIXED SET
21	1	FF3002221	SCREW SLAFT
22	1	FF3002222	PEDAL SWITCH
23	1	FF3002223	PEDAL BASE

ACCESSORY BAG

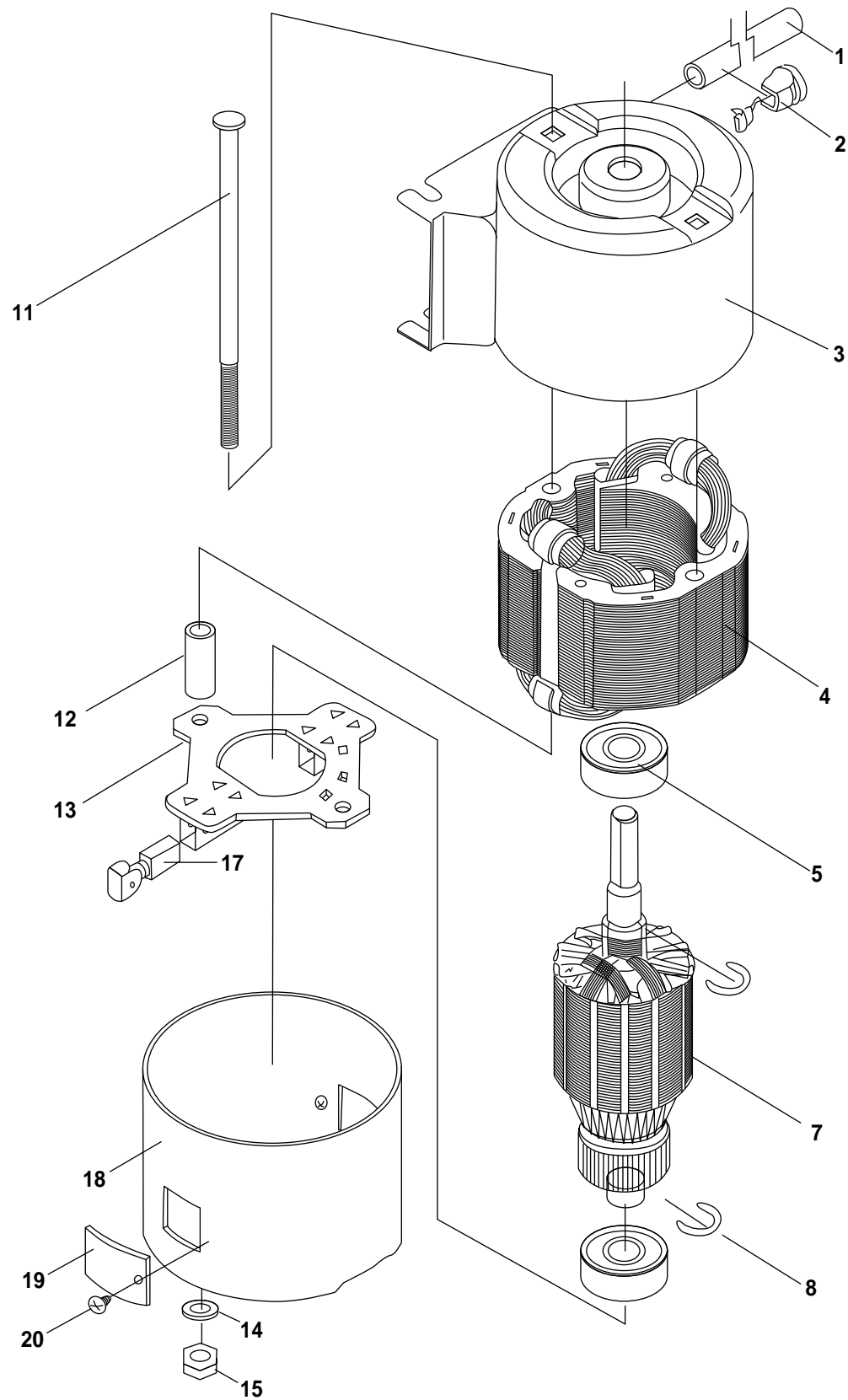


ACCESSORY BAG

ITEM	PART NO.	DESCRIPTION
1	3002401	ACCESSORY BAG
2	3002402	OILER
3	3002403	SPANNER
4	3002404	SCREW DRIVER
5	3002405	NEEDLE SET SCREW 2.0 WRENCH
6	3002406	NEEDLE SET SCREW 3/32" WRENCH
6-1	3002406-1	NEEDLE SET SCREW 7/64" WRENCH
7	3002407	NEEDLE SET SCREW 5.0 WRENCH
7-1	3002407-1	NEEDLE SET SCREW 9/64" WRENCH
8	3001645	CARBON BRUSH FOR AC MOTOR (SIZE:6 X 8 X 15)
	3001645-1	CARBON BRUSH, FOR DC MOTOR 12V/24V (SIZE:6X8X15)
9	3002433	NEEDLE (DNX1 #25)



MOTOR PARTS



MOTOR PARTS

ITEM	PART NO.	DESCRIPTION
1	3002601	CORD
2	3002602	STRAIN RELIEF BUSHINGS
3	3002603	CASE A
4	3002604	STATOR ASSY FOR 110V
	3002604-1	STATOR ASSY FOR 220V
	3002604-2	STATOR ASSY FOR 240V
	3002604-3	STATOR ASSY FOR 12V
	3002604-4	STATOR ASSY FOR 24V
5	3002605	BALL BEARING
7	3002607	ARMATURE ASSY FOR 110V
	3002607-1	ARMATURE ASSY FOR 220V
	3002607-2	ARMATURE ASSY FOR 240V
	3002607-3	ARMATURE ASSY FOR 12V
	3002607-4	ARMATURE ASSY FOR 24V
8	3002608	C RING
11	3002611	SCREW
12	3002612	PIPE
13	3002613	PC PLATE
14	3002614	WASHER
15	3002615	NUT
17	3001645	CARBON BRUSH FOR AC MOTOR
	3001645-1	CARBON BRUSH FOR DC MOTOR
18	3002618	CASE B
19	3001646	CAP FOR MOTOR
20	3001647	SCREW